

Health and safety

The use of any electrical appliance requires the following common sense safety rules. Please read these instructions carefully before using the product.

- **WARNING: This appliance incorporates a heating element which is subject to residual heat after use.**
- **WARNING: Misuse can cause personal injury.**
- This appliance can be used by children aged from 8 years and above and persons with reduced physical, sensory or mental capabilities or lack of experience and knowledge if they have been given supervision or instruction concerning use of the appliance in a safe way and if they understand the hazards involved.
- Keep the appliance and its cord out of the reach of children aged less than 8 years.
- Children shall not play with the appliance.
- Cleaning and user maintenance shall not be made by children unless they are older than 8 and supervised.
- This appliance is intended to be used in household and similar applications such as: farmhouses, by clients in hotels, motels and other residential type environments, bed and breakfast type environments. It is not suitable for use in staff kitchen areas in shops, offices and other working environments.
- If the supply cable is damaged, it must be replaced with a special cable assembly available from the manufacturer or its service agent in order to avoid a hazard.
- Refer to Care & Cleaning.
- This appliance is not intended to be operated by means of an external timer or separate remote-control system.

Exclusions

Morphy Richards shall not be liable to replace or repair the goods under the terms of the guarantee where:

1. The fault has been caused or is attributable to accidental use, misuse, negligent use or used contrary to the manufacturer's recommendations or where the fault has been caused by power surges or damage caused in transit.
2. The cables are damaged due to wrapping too tightly or excessive kinking.
3. The appliance has been used on a voltage supply other than that detailed on the Rating Label.
4. Repairs have been attempted by persons other than our service staff (or authorised dealer).
5. The appliance has been used for hire purposes or non-domestic use.
6. The appliance is second hand.
7. Morphy Richards reserves the right not to carry out any type of servicing under the guarantee at its discretion.
8. This guarantee does not confer any rights other than those expressly set out above and does not cover any claims for consequential loss or damage. This guarantee is offered as an additional benefit and does not affect your statutory rights as a consumer. Morphy Richards products are intended for household use only. See usage limitations within the location safety instructions.

In addition, we offer the following safety advice.

Location

- Place the appliance on a horizontal, flat and stable heat resistant surface, away from a heating source and where it cannot be splashed by water.
- Allow adequate air space above and on all sides for air circulation.
- Do not use outdoors or near water.
- After use, the drawer will be very hot, if the drawer is removed from the air-fryer make certain that it is only put down on a surface capable of withstanding high temperatures.



**PLEASE BE AWARE OF HOT SURFACES
HANDLE WITH CARE**

Treating scalds

- Run cold water over the affected area immediately.
- Do not stop to remove clothing.
- Seek medical advice quickly

Mains cable

- The mains cable should reach from the base unit without straining the connections.
- 1. Do not let the cable hang over the edge of the table or the counter and keep it away from any hot surface.
- Do not let the cable run across an open space e.g. between a lower socket and table.

Personal safety

- **WARNING: Never attempt to move your Air Fryer until it is completely cool. This can take up to three hours.**
- Be careful not to touch the surfaces of the Air Fryer which become hot when in use.
- **WARNING: To protect against the risk of electric shock, do not immerse the control unit in water or other liquid.**
- Unplug from the electrical outlet when not in use and before cleaning. Allow to cool before putting on or taking off parts, and before cleaning the appliance.
- Never leave the Air Fryer unattended when connected to the electricity supply.
- Never lean over the Air Fryer when it is in use.
- After use, the drawer will be very hot. When removing the drawer from the fryer take care to only use the handle provided and avoid any contact with the food container.

Other Safety Considerations

- The use of attachments or tools not recommended or sold by Morphy Richards may cause fire, electric shock or injury.
- Do not operate any appliance with a damaged cord or plug or after the appliance malfunctions or has been damaged in any manner.
- Do not use the product for anything other than its intended purpose.
- Do not pour or place any oil or fat into the drawer. To improve the cooking process or flavour of the food, it is ok to have the food coated with a very small amount of oil or fat, but additional extra oil or fat is not needed and could result in a safety risk.

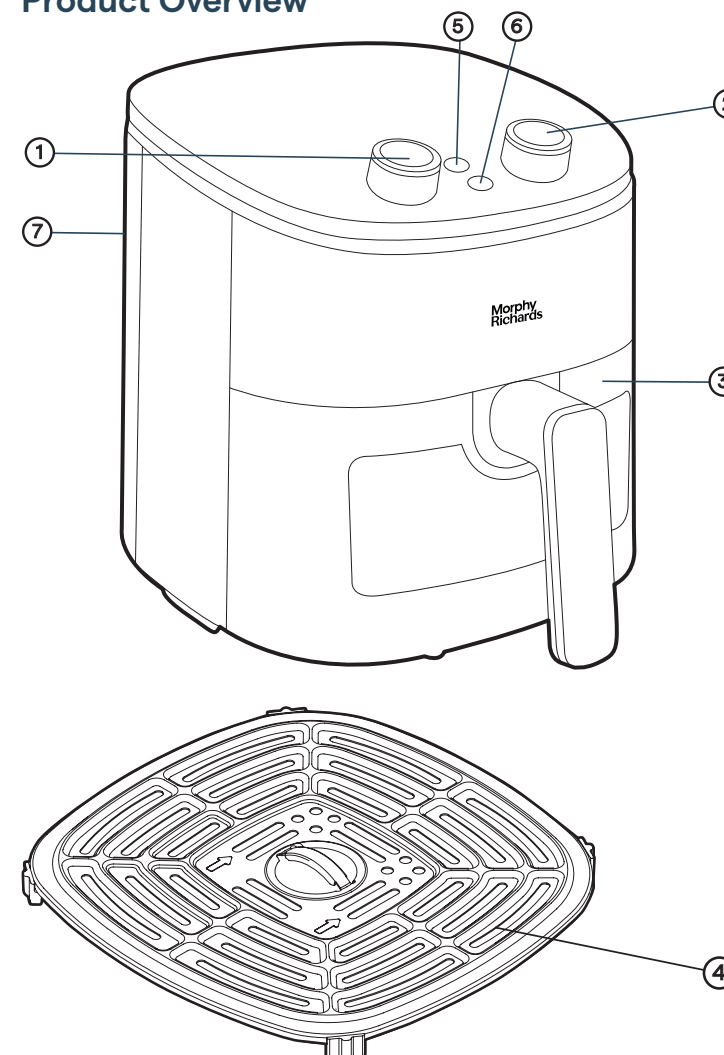
Electrical requirements

Check that the voltage on the rating plate of your appliance corresponds with your house electricity supply which must be A.C. (Alternating Current).

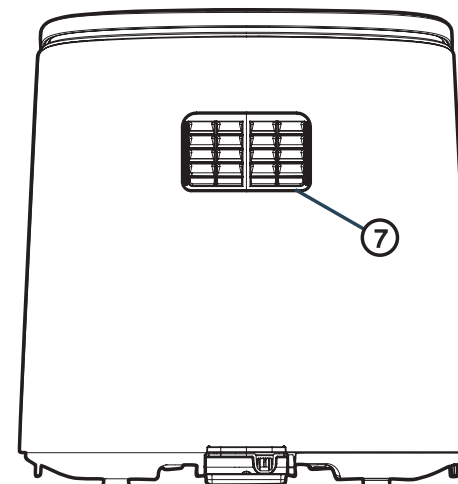
WARNING: The plug removed from the mains lead, if severed, must be destroyed, as a plug with a bared flexible cord is hazardous if engaged into a live socket outlet. Should the fuse in the mains plug require changing, replace it with a fuse of the same rating as originally fitted.

WARNING: This appliance must be earthed.

Product Overview



- 1 Timer Control Dial
- 2 Temperature Control Dial
- 3 Drawer
- 4 Crisping Tray
- 5 Power Indicator
- 6 Temperature Indicator
- 7 Air Vent



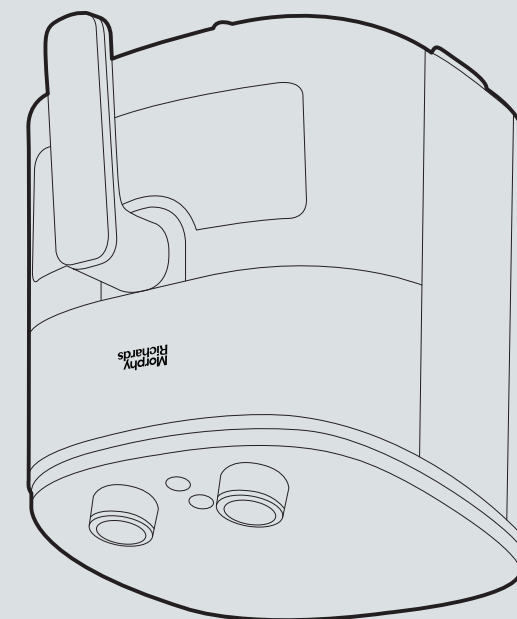
Before First Use

1. Remove all packaging materials.
2. Remove any promotional stickers from the appliance. NB: Not the rating label on the base of the product.
3. Wash the drawer (3) and crisping tray (4) by hand with warm water, a little washing-up liquid and a non-abrasive sponge. Rinse, and leave the drawer upside down to drain. Make sure the drawer and the crisping tray are thoroughly dry before re-fitting to the air-fryer.
4. Note: During washing it is possible that water droplets can enter the space between the two layers of the drawer window, this is normal and will not cause any problems. Leave the drawer in a warm environment for a few hours to allow the droplets to evaporate or use of the air-fryer will create the heat to evaporate the water droplets.
5. To clean the outside of the appliance, only ever use a damp cloth.
6. Operate the air-fryer without food, at 220°C for at least 10 minutes. During this operation a slight odour may be noticed, this is normal for the first operation, a result of any production residues being evaporated/dispersed.
7. There is an air vent (7) at the rear of the air-fryer, ensure there is at least a 15cm gap between walls/cupboards etc all around the appliance to allow the hot air to escape.

Please read and keep these instructions for future use



UP TO 2 YEAR
GUARANTEE
WITH REGISTRATION ONLINE



Manual Black
4L Air Fryer

Morphy
Richards

Contact us

If you are having a problem with your appliance or just need advice, contact us at Morphy Richards. Please have the product name, model number and serial number to hand, this will help us to deal with your enquiry quicker.

www.morphyrichards.com/en-gb/support/contact-us

Help & Advice

If you have any difficulty with this product, please contact our customer care team who will be happy to help.

Email us: Hello@morphyrichards.com

Visit us: www.morphyrichards.com/contactus

Talk to us

If you have any questions or comments, or want some great tips to help you get the most out of your products, join us online:

Facebook: www.facebook.com/morphyrichardsuk

Twitter: [@loveyourmorphy](https://twitter.com/loveyourmorphy)

Address: Stoney Lane
Prescot
Merseyside
L35 2XW
UK

M
R.

www.morphyrichards.com

UK
CA CE

HF4800070MUK A3 Rev1

Using the Health Fryer

Hints & Tips

Cook your food thoroughly. Remember that your food may begin to turn golden brown before it is cooked through. As a general guide raw food needs to be cooked on a slightly lower temperature but for longer compared to pre-cooked foods.

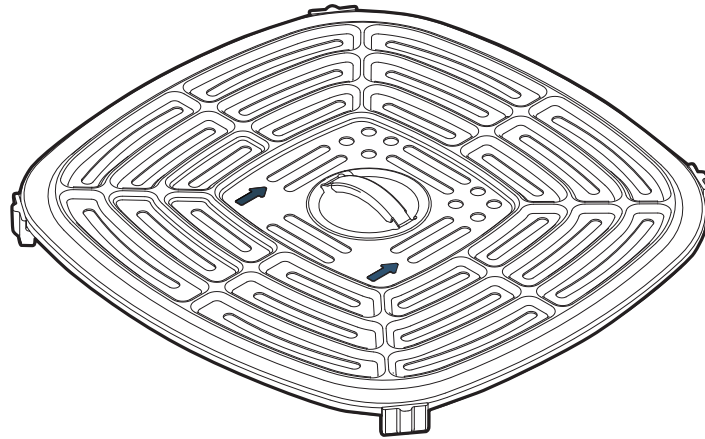
Select your cooking utensils with care. High-temperature plastic utensils or suitable wooden utensils are ok.

Do not use metal utensils, they will damage the non-stick coating of the drawer and food trivet.

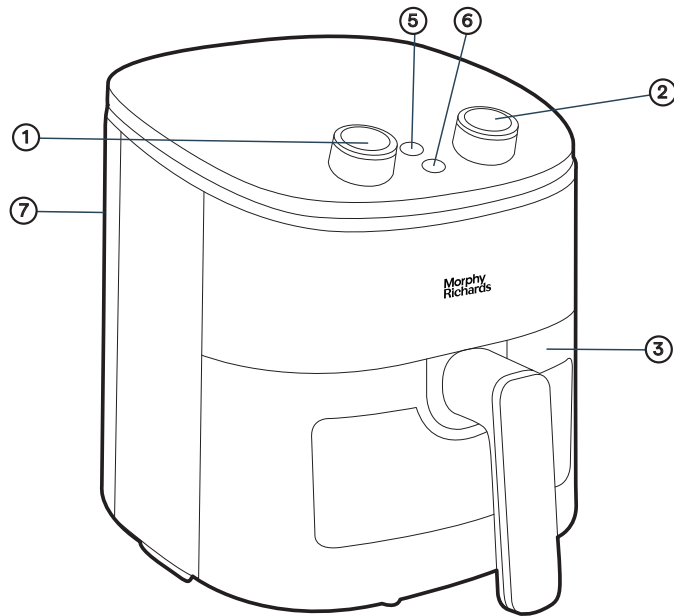
As a general guide, avoid filling the drawer more than half full with food. The more the drawer is filled, the food will need turning more to ensure it is cooked evenly. Smaller amounts of food can often be cooked in a shorter time.

Operating Instructions

1. With the crisping tray located within the drawer (the arrows on the tray pointing to the back of the drawer), plug the appliance into the mains supply.



2. Using the Temperature Selector Dial ②, select the temperature from 160°C to 220°C and then turn the Timer Control Dial ① to set the cooking time (plus 3 minutes to pre-heat), the red Power Indicator ③ and the green Temperature Indicator ④ will illuminate.



3. When the selected temperature is reached the green Temperature Indicator ④ will go out, the indicator will cycle on and off as the thermostat maintains the selected temperature.
4. To ensure even cooking, open the drawer halfway through the cooking time. Check, turn or vigorously shake the drawer. Temperature can be adjusted if needed.
5. The Air Fryer will turn OFF automatically when your cooking time reaches '0' and one beep will sound, both the red Power Indicator ③ and the green Temperature Indicator ④ will go out.
6. If additional cooking is required, adjust the Temperature Selector Dial ② and set the Timer Control Dial ① for 5-minute periods until the food is fully cooked.
7. If the Timer Control Dial is turned anti-clockwise to STAY ON, the air-fryer will stay on continuously.
8. To switch off again, turn the timer dial clockwise to OFF until it dings.

NOTE: When you open the drawer, the red Power Indicator ③ and the Air Fryer will turn OFF. The timer will continue to count down while the drawer is open. Heating will resume when the drawer is fully closed.

NOTE: The Air Fryer can be turned OFF at any time by turning the Timer Control Dial ① to '0'.

Cooking Guide

	Description/food	Temperature	Time
	Bake	160°C	20 Mins
	Roast (low) (Fish)	180°C	20 Mins
	Roast (high) (Chicken/Meat)	200°C	25 Mins
	Fresh chips	200°C	30 Mins
	Frozen chips	220°C	20 Mins

Notes:

The time and temperatures in the cooking guide below are based on 500g of vegetables or chips (where applicable) and the full surface area of the crisping tray being covered with fish or meat portions, or small cake cases. The time/temperature may need to be adjusted to suit for larger or smaller quantities.

The surface area of the crisping tray is approximately 18cm x 18cm, suitable for 4-5 burgers or chicken drumsticks.

Do not overfill the drawer. To cook the food safely and effectively, hot air must be able to circulate around all the food

The Timer Control Dial will emit a ticking sound during the timing period. At the end of the timed period the air-fryer will automatically switch off and will emit a 'ding' sound.

Troubleshooting

Why does my Air Fryer not turn OFF?

Ensure the timer dial is not turned towards STAY ON which will make the Air Fryer stay on continuously. Turn it clockwise to OFF until it dings.

Why does my Air Fryer not switch on?

The Air Fryer is not plugged in correctly. Plug it into the mains socket and switch on. A circuit breaker has been tripped. Check and reset the circuit breaker. The drawer is not fully in place. Push the drawer into place.

Why has the food not been cooked thoroughly?

Food capacity has been exceeded. Remove some of the food and fry again in separate batches. This will cook food more evenly and thoroughly. The temperature was set too low. Manually increase set temperature. The cooking time was not long enough. Manually increase set cooking time.

Why are my chips not cooking evenly?

Chips were not rinsed adequately before cooking. Rinse chips thoroughly (to remove starch) and allow them to dry before cooking.

Why are my chips not crispy?

There may be a lack of oil or too much water. Ensure chips are dried after rinsing with water. Possibly add a little more oil to the chips before cooking. Chip size may be too large. Try cutting the potato into smaller pieces for a crispier result. You may be using the wrong type of potato. When making home-made chips/fries, the best type of potato to use are the floury varieties (King Edward or Maris Piper).

Why is there white smoke emitted during cooking?

The food contained within may be quite greasy or fatty. Greasy or fatty food will emit fat/oil into the drawer of the Air Fryer, and when heated it may emit a white smoke. Try to avoid cooking greasy/fatty foods in the Air Fryer. The white smoke does not affect the cooking process. The drawer may still contain oil/fat from previous use. Ensure the drawer is thoroughly cleaned after each use.

Why will the basket not slide back into the Air Fryer housing properly?

Too much food in the Basket. If there is too much food in the basket, please remove some of the food and retry.

Drawer not aligned correctly.

Correctly align the drawer with the grooves located on the inside of the Air Fryer housing.

Care & Cleaning

1. Always remove the plug from the wall socket and allow the appliance to cool before cleaning.
2. (see "Before first use" above)
3. Never use abrasive cleaners, these will damage the non-stick coating of the drawer and crisping tray. Any stubborn food residue should be removed by soaking. With the drawer removed from the air-fryer, place on a heat resistant surface and fill the drawer with hot soapy water to the same depth as the crisping tray. Leave to soak until the water has cooled. Then clean as described above.
4. The drawer may be cleaned in a dishwasher but due to the size, design and non-stick coating of drawer, soaking/hand washing (as described above) may be quicker, easier and provide a better result.
5. Note: Always drain the drawer upside down after washing to reduce condensation between the 2 layers of the drawer window.

Registering Your 2 Year Guarantee

Your standard 1 year guarantee is extended for an additional 12 months when you register the product with Morphy Richards within 28 days of purchase.

If you do not register the product with Morphy Richards within 28 days, your product is guaranteed for 1 year. To validate your 2-year guarantee, register online at:-

www.morphyrichards.com/en-gb/support/product-registration

N.B. Each qualifying product needs to be registered with Morphy Richards individually.

Please note that the 2-year guarantee is only available in the UK and Ireland.

Your 1 Year Guarantee

If you haven't registered your product for the additional 12 months guarantee. It is important to retain the retailer's receipt as proof of purchase. Staple your receipt to your instruction manual for future reference.

Please quote the Model no. Serial no. if the product develops a fault. These numbers can be found on the base of the product.

All Morphy Richards products are individually tested before leaving the factory. If in the unlikely event of any appliance proving to be faulty within 28 days of purchase, it should be returned to the place of purchase for it to be replaced.

If the fault develops after 28 days and within 12 months of original purchase, you should contact Morphy Richards at the website address shown below (see Contact Us). You may be asked to return a copy of proof of purchase.

Subject to the exclusions (see Exclusions), the faulty appliance will then be repaired or replaced as appropriate and dispatched usually within 7 working days of receipt.

If, for any reason, this item is replaced or repaired during the 1-year guarantee period, the guarantee on the new item will be calculated from original purchase date. Therefore, it is vital to retain your original purchase receipt or invoice to indicate the date of initial purchase.

To qualify for the 1-year guarantee, the appliance must have been used according to the instructions supplied.

Exclusions

Morphy Richards shall not be liable to replace or repair the goods under the terms of the guarantee where:

1. The fault has been caused or is attributable to accidental use, misuse, negligent use or used contrary to the manufacturer's recommendations or where the fault has been caused by power surges or damage caused in transit.
2. The cables are damaged due to wrapping too tightly or excessive kinking.
3. The appliance has been used on a voltage supply other than that detailed on the Rating Label.
4. Repairs have been attempted by persons other than our service staff (or authorised dealer).
5. The appliance has been used for hire purposes or non-domestic use.
6. The appliance is second hand.
7. Morphy Richards reserves the right not to carry out any type of servicing under the guarantee at its discretion.

This guarantee does not confer any rights other than those expressly set out above and does not cover any claims for consequential loss or damage. This guarantee is offered as an additional benefit and does not affect your statutory rights as a consumer. Morphy Richards products are intended for household use only. See usage limitations within the location safety instructions.



Disclaimer

Morphy Richards has a policy of continuous improvement in product quality and design. The company, therefore, reserves the right to change the specification of its models at any time.

Disposal of Electrical Appliances

For electrical products sold within the European Community. At the end of the electrical products' useful life, it should not be disposed of with household waste. Please recycle where facilities exist. Check with your Local Authority or retailer for recycling advice in your country.