



# morphy richards

**3 Year  
Guarantee\***

\*Upon registering your product  
at [morphyrichards.co.uk](http://morphyrichards.co.uk)

## FLEXI FREEZE 7 Litre Air Cooler with Remote Control



Model No.  
**823251**

## User Manual

Please read and keep these instructions for future use





## HEALTH AND SAFETY

The use of any electrical appliance requires the following common sense safety rules.

**Please read these instructions carefully before using the product.**

- **WARNING:** Disconnect from the mains supply before carrying out any routine maintenance.
- **WARNING:** Misuse of the appliance could cause personal injury.
- This appliance can be used by children aged from 8 years and above and persons with reduced physical, sensory or mental capabilities, or lack of experience and knowledge, if they have been given supervision or instruction concerning the use of the appliance in a safe way and understand the hazards involved.
- Children shall not play with the appliance.
- Cleaning and user maintenance shall not be made by children unless they are older than 8 years and supervised.
- Keep the appliance and its cord out of reach of children less than 8 years.
- This appliance is not intended to be operated on an extension cable or by





## HEALTH AND SAFETY

means of an external timer or separate remote control system.

- This appliance is intended for indoor household use only. It is not suitable for use in staff kitchen areas in shops, offices and other commercial environments.
- If the supply cord is damaged it must be replaced by the manufacturer, its service agent or similarly qualified persons in order to avoid a hazard.
- Unplug the appliance during filling and cleaning. Be aware that high humidity levels may encourage the growth of biological organisms in the environment.
- Do not permit the area around the humidifier to become damp or wet. If dampness occurs, turn the output of the humidifier down. If the humidifier output volume cannot be turned down, use the humidifier intermittently. Do not allow absorbent materials, such as carpeting, curtains, drapes, or tablecloths, to become damp.
- Never leave water in the reservoir when the appliance is not in use. Empty and clean the humidifier before storage. Clean the humidifier before next use.



## HEALTH AND SAFETY

### MAINS CABLE

- Do not place the mains cable across an open space where it can cause a trip hazard or in a position where it can be pulled by children or animals.
- The mains cable should reach from the socket to the product without straining the connections.

### OTHER SAFETY CONSIDERATIONS

- Only use for its intended purpose.
- Do not attempt to repair or adjust any electrical or mechanical element of the appliance. Doing so may be unsafe and will void your warranty.

### PERSONAL SAFETY

- Do not allow water or other liquids to run into the appliance as it could create a fire/ electrical.
- Do not touch the cable or plug with wet hands.
- Do not pull the cable when unplugging.
- Keep hands, hair and clothing away from the appliance while in operation, to prevent personal injury and/or damage to the appliance.

- Do not push any objects in to the air inlet or outlet grilles as this may cause electric shock, fire or damage the appliance.
- In the unlikely event technical problems develop, stop using the product immediately and seek advice from the manufacturer.
- **WARNING:** Do not wrap the power cable around the main body of the appliance during or after use.

### LOCATION

- Ensure that the appliance is used on a firm flat surface.
- Do not in any way obstruct the air inlets and outlets of the appliance.
- Do not cover or place any objects on the Air Cooler.
- Do not use this appliance near water or in the immediate surroundings of a bath, shower or swimming pool.
- Do not use outdoors, this appliance is intended for indoor household use only.

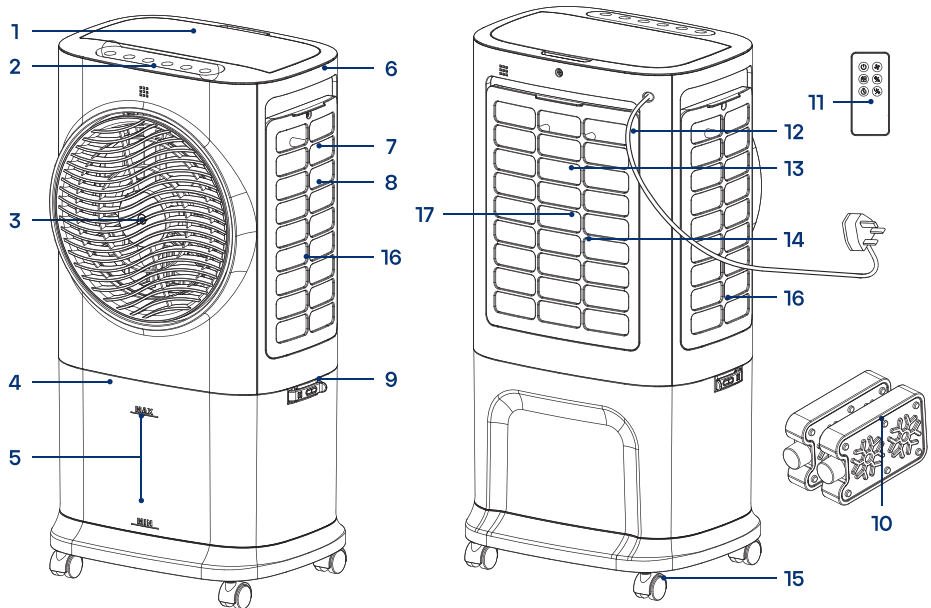


## ELECTRICAL DETAILS

Make sure that the power voltage used is consistent with the voltage specified on the rating plate of the device.

Should the fuse in the mains plug require changing, replace it with one of the same rating as originally fitted.

## PRODUCT OVERVIEW



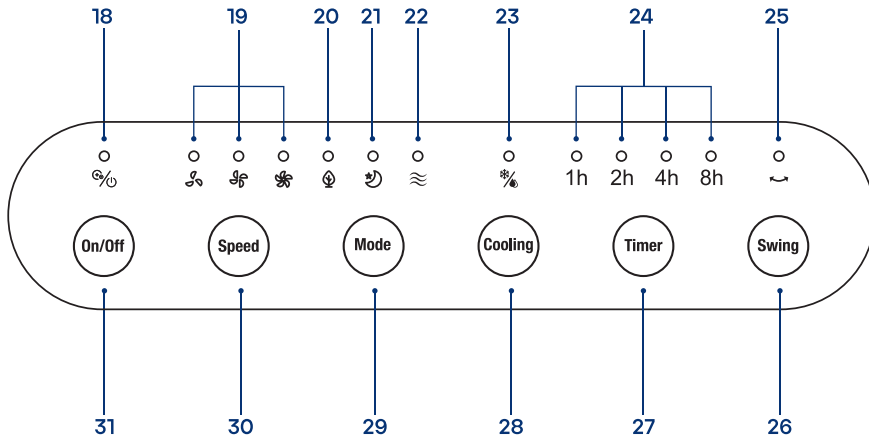
- |                                     |                                      |
|-------------------------------------|--------------------------------------|
| 1. Water Filling Panel              | 10. Ice Packs                        |
| 2. Control Panel                    | 11. Remote Control                   |
| 3. Air Outlet Grille                | 12. Power Cable                      |
| 4. Water Tank                       | 13. Rear Air Inlet Panel             |
| 5. Water Level Indicators           | 14. Rear Air Inlet Panel Mesh Filter |
| 6. Side Panels                      | 15. Castors                          |
| 7. Side Air Inlet Panel             | 16. Side Panel Filters (Not Shown)   |
| 8. Side Air Inlet Panel Mesh Filter | 17. Rear Panel Filter (Not Shown)    |
| 9. Locking Tabs                     |                                      |



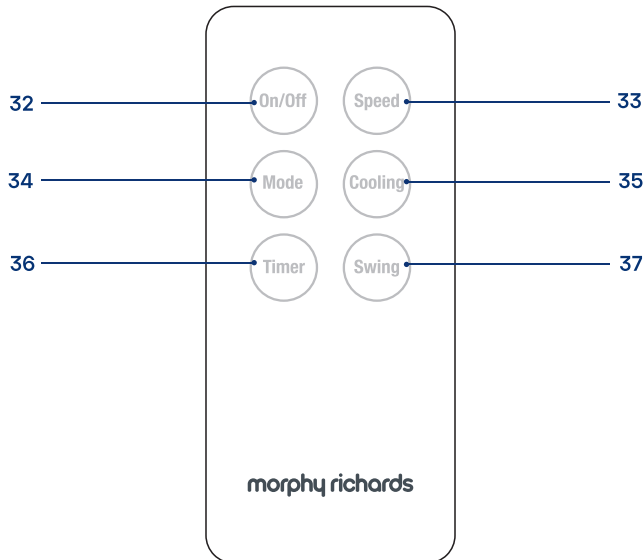


## PRODUCT OVERVIEW CONTINUED

### CONTROL PANEL



### REMOTE CONTROL





## PRODUCT OVERVIEW CONTINUED

- |                              |  |
|------------------------------|--|
| 18. Power On indicator       | 29. Mode button                        |
| 19. Fan speed indicators     | 30. Fan speed button                   |
| 20. Normal Mode              | 31. Power On/Off button                |
| 21. Sleep Mode               | 32. Remote control Power On/Off button |
| 22. Natural Mode             | 33. Remote control Fan Speed button    |
| 23. Cooling indicator        | 34. Remote control Mode button         |
| 24. Timer indicators         | 35. Cooling button                     |
| 25. Swing indicator          | 36. Remote control Timer button        |
| 26. Swing/Display Off button | 37. Remote control Swing button        |
| 27. Timer button             |  |
| 28. Cooling button           |  |

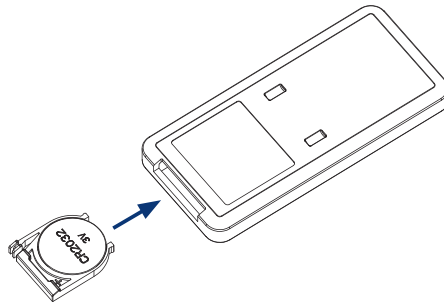
## BEFORE FIRST USE

- Remove all packaging and attach the base.
- Ensure the water tank is attached securely to the air cooler with locking tabs.



## USING THE REMOTE CONTROL

- A 3V CR2032 battery is required.
- Open the battery cover at the end of the remote control.
- Check the polarity of the battery and install it into the battery cover.
- Refit the battery cover on to the remote control.



- **WARNING:** Danger of explosion if batteries are incorrectly installed. Replace the battery only with the same type of battery.
- **WARNING:** Keep the remote control and battery out of reach of children.

### BATTERY WARNING

KEEP OUT OF REACH OF CHILDREN  
Swallowing can lead to chemical burns, perforation of soft tissue, and death. Severe burns can occur within 2 hours of ingestion. Seek medical attention immediately.





## LOCATING YOUR AIR COOLER

- Ensure the appliance is used on a firm, flat, level surface.
- The air inlet at the rear should have a clearance from walls/obstructions of 30-50 cm.
- The air outlet (front) should have a clearance from walls/obstructions of 100-150 cm.
- The top should be free from any coverings.

**CAUTION:** Do not in any way obstruct the air inlets and outlets of the appliance.

## USING YOUR AIR COOLER

### SWITCHING ON THE AIR COOLER

- Plug into the mains socket, the appliance will 'beep' and enter standby.
- All function indicator lights are off except for Power On/Off.
- Press the Power On/Off button once to turn on the appliance.
- The appliance default start up is Fan Medium Speed for approximately seconds and then switches to Low speed, the Low speed indicator will illuminate.

### SELECTING FAN SPEED

- To adjust the fan speed; press the Fan Speed button while the appliance is powered on. The speed will cycle. Low → Medium → High → Low etc. The Fan Speed indicators will cycle in the same sequence.



## USING YOUR AIR COOLER

### DRY FAN FUNCTION

- To enter the dry fan function, press and hold the Fan Speed button for approximately 3 seconds while the appliance is powered on. The fan defaults Fan High speed; it runs for 20 minutes before returning to standby.
- The fan speed indicator light flashes while in Dry Fan mode.

**Note:** While using the Dry Fan function, all other function buttons are inoperable.

**Note:** To exit the Dry Fan function at any time press and hold the Fan Speed button for approximately 3 seconds.

### MODE

- When the appliance is turned on, it will operate in Normal mode.
- Press the Mode button to select the required function. It cycles Natural mode → Sleep mode → Normal mode...etc. The corresponding indicator light will illuminate.

### NORMAL MODE

Has three fan speeds. High, medium and low. The corresponding indicator light will illuminate to the fan speed selected.

### SLEEP MODE

The product performs timed down shifting of the fan speed selected by the user.

**High speed sleep fan:** 30 minutes normal mode fan at high speed → 30 minutes normal mode fan at medium speed → normal mode fan at low speed.

**Medium speed sleep fan:** 30 minutes normal mode fan at medium speed → normal mode fan at low speed.

**Low-speed sleep fan:** Normal mode fan at low speed.

**Note:** As the Fan speed changes while operating in Sleep mode the corresponding Fan speed indicator illuminates.





## USING YOUR AIR COOLER

### NATURAL MODE

This mode imitates the wind effect of nature, making the fan speed more comfortable. It automatically switches from high → medium → low speed.

### COOLING

- Fill the water tanks (see Filling with Water section of the manual).
- To enter the Cooling mode, while the appliance is in standby press the Cooling button.
- The water pump will start to operate, and the Cooling indicator will illuminate.
- Press the Cooling button at any time to turn off the appliance.

### FILLING WITH WATER

When using the cooling and humidifying functions, water must be added to the water tank. There are two ways to add water.

- Firstly open the water filling panel on top of the Air Cooler and slowly add water into the water tank (Figure 1 and Figure 2).
- After adding water, close the water panel again.

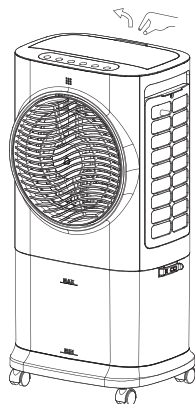


Figure 1

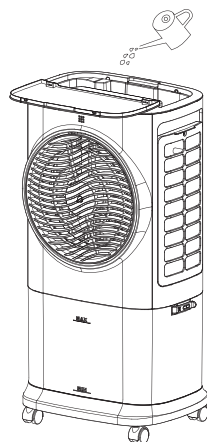


Figure 2





## USING YOUR AIR COOLER

### FILLING WITH WATER

- To fill the Water Tank, unclip the locking tabs on the sides of the water tank to separate the main unit from the water tank, and add water into the tank (Figure 3, Figure 4).

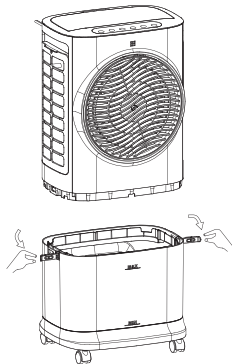


Figure 3

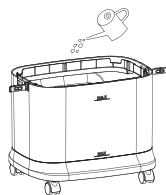


Figure 4

**Note:** When adding water, DO NOT exceed the MAX level display on the front of the Air Cooler (Figure 5).

- Re-assemble the main unit and water tank, ensure the locking tabs are fastened securely.

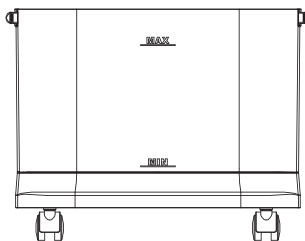


Figure 5

**Note:** Always use, clean, fresh tap water

**Note:** When the machine is used for the first time, there may be a slight odour and the water in the water tank slight discolouration. This is normal and no cause for concern.

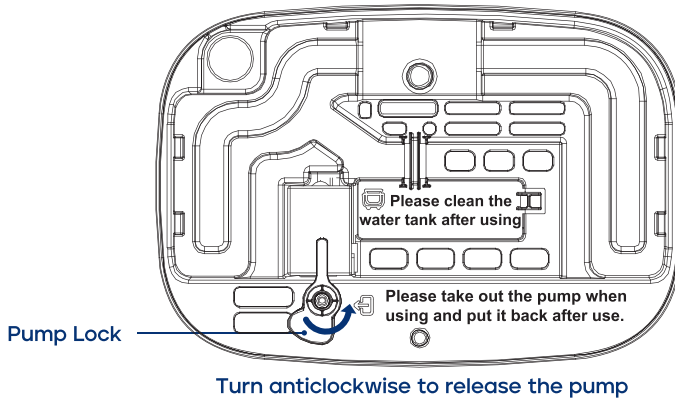




## USING YOUR AIR COOLER

### USING THE WATER PUMP

- Rotate the water pump lock anticlockwise and remove the water pump and water pipe from the storage slot allow the water pump and drain pipe to fall to the bottom of the water tank.



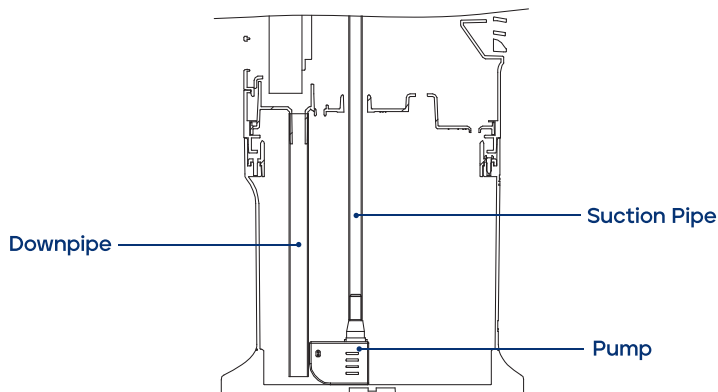
- Follow instructions on the base of the appliance.

 Please take out the pump when using and put it back after use.

Figure 6

 Please clean the water tank after using.

Figure 7





## USING YOUR AIR COOLER

### USING THE ICE PACKS

The ice packs have cold storage and heat preservation characteristics, which can absorb the heat in the water and keep the water temperature in the water tank lower than the ambient temperature for several hours, and make the air blowing from the appliance cooler.

- Ensure the ice pack is completely frozen before use.
- Place a frozen ice pack into the water tank. The water temperature in the water tank will be lower than the ambient temperature after approximately 10 minutes.
- The appliance is equipped with two ice packs to ensure continuous use.

**CAUTION:** Do not open the cover of the ice pack or swallow its contents.

### TIMER

- While the appliance is powered on, press the timer button to enter the timer mode.
- Continually press the timer button to set a shutdown timer from 1 to 8 hours, indicated by the combined illumination of the time indicators (1h, 2h, 4h, 8h).
- As the timer counts down, the indicator lights will illuminate in sequence.
- For example if the timer is set for 2 hours, the 2h indicator will illuminate and after the timer has counted down for 1 hour the 2h indicator will go out and the 1h indicator will illuminate.
- When the timing period is complete, the indicator light will go out, the appliance shuts down and enters the standby state.



## USING YOUR AIR COOLER

### SWING/DISPLAY OFF

#### SWING

- While the machine is powered on, press the Swing/Screen Off button to turn the Swing function on.
- The swing indicator light will illuminate and the Air Outlet Grille will rotate.
- To stop the Swing function, press the Swing/Screen Off button again.

#### DISPLAY OFF

- To turn off the display lights, press and hold the Swing/Screen Off button for approximately 3 seconds to turn off the screen.
- Press any button to restore normal brightness.

### OTHER FUNCTIONS

#### DIMMING MODE

- When any indicator light is on, if a button is not pressed within 1 minute, the indicator light/s will dim. To resume brightness, press any button.

#### MEMORY FUNCTION

- If the Air Cooler is switched off without disconnecting the power, it will retain the working state and it will restart in the mode it was using before being switched off (except for the timer function, sleep mode and dry fan function).

#### PLASMA FUNCTION

The purpose of the Plasma function is not to cool the air but to clean and sanitise it, as the fan operates.

- The plasma function activates when the appliance is powered on.



## CARE & CLEANING

**WARNING:** The appliance **MUST** be unplugged from the mains outlet before cleaning.

- Wipe the main unit with a soft, damp cloth to remove any light dust or debris. Do not use abrasive or cream cleansers as they may damage the surface of the appliance. **DO NOT** immerse the main unit in water or other liquids.

### CLEANING THE AIR INLET COVER WITH MESH FILTER

- Remove the Air Inlet Cover with Mesh Filter from the Air Cooler, using a soft brush remove any dust/debris that may have built up on the cover.
- Using warm water and mild detergent wash the cover before rinsing with clean water.
- Dry thoroughly before refitting to the appliance.

**Note:** A build-up of dust on the Air Inlet Mesh Filter can affect air flow and is recommend cleaning at least once a month.

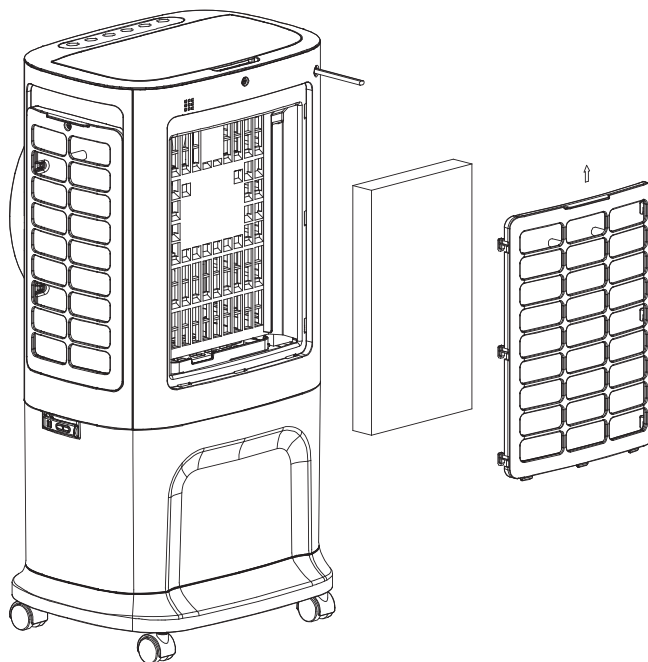
### CLEANING THE FILTER

- Remove the Air Inlet cover and lift out the Filter.
- Using a soft bristled brush gently remove surface dust. Avoid excessive friction which could cause damage to the filter.
- Using warm water rinse the filter with clean water and dry thoroughly.
- Re-fit the filter and replace the Air Inlet cover securely.

**Note:** To maintain optimum performance of your Air Cooler, we recommend the Filter is cleaned at least once a month and replaced every 3-6 months; depending on the frequency of use and environment conditions.



## CARE & CLEANING



### CLEANING THE WATER TANK

**WARNING:** Never leave water in the water tank when the appliance is not in use. The water tank should be cleaned every few weeks to prevent growth of mould, mildew and bacteria. **DO NOT** use a dishwasher to clean the tank.

- Remove the tank from the dehumidifier and partially fill it with clean water and a little mild detergent. Swish the water around in the tank, empty and rinse with clean water.
- Ensure the tank is dry before refitting to the Air Cooler.





## STORAGE

- Ensure the air cooler, filters and water tank are clean and dry before storing.
- To store your product out of season we recommend using the original box or similar size box.
- Store in a safe, clean and dry place when not in use.

## TROUBLESHOOTING

Problem	Solution
No power.	Replace the fuse in the plug with a fuse of the same rating as originally fitted.
	Try a different appliance in the socket.
	Remove obstructions and restart the appliance. Ensure a distance of at least 20cm between the appliance & walls.
Airflow seems weak.	Clean the filters regularly. Follow instructions in the Care and Cleaning section.
Unit is noisy during operation.	Place on firm, flat horizontal surface.
	Clean the filters regularly. Follow instructions in the Care and Cleaning section.





## SPARES

Part Number	Description	Qty Per Product	Features Key Number
33055	Rear Air Inlet Panel with mesh filter	1	13 & 14
33056	Side Air Inlet Panel with mesh filter	2	7 & 8
33057	Rear Panel Filter	1	17
33058	Side Panel Filter	2	16
33059	Remote Control	1	11





## CONTACT US

If you are having a problem with your appliance, please contact our Helpline, as we are more likely to be able to help than the store you purchased the item from. Please have the product name, model number and serial number to hand when you contact us to help us deal with your enquiry quicker.

email: [hello@morphyrichards.co.uk](mailto:hello@morphyrichards.co.uk)

[www.morphyrichards.co.uk](http://www.morphyrichards.co.uk)

## PRODUCT RECYCLING



For electrical products sold within the European Community, at the end of the electrical products useful life, it should not be disposed of with household waste.

Please recycle where facilities exist.

Check with your Local Authority or retailer for recycling advice in your country.





## REGISTERING YOUR 3 YEAR GUARANTEE

Your standard 2 year guarantee is extended for an additional 1 year when you register the product within 28 days of purchase with Morphy Richards. If you do not register the product with Morphy Richards within 28 days, your product is guaranteed for 2 years.



To validate your 3 year guarantee, scan the QR code or register online at [www.morphyrichards.co.uk](http://www.morphyrichards.co.uk)

N.B. Each qualifying product needs to be registered with Morphy Richards individually. Please note that the 2 year guarantee is only available in the UK. Please refer to the 2 year guarantee for more information.

### YOUR 2 YEAR GUARANTEE

It is important to retain the retailer's receipt as proof of purchase. Staple your receipt to the back cover for future reference.

Please quote the following information if the product develops a fault. These numbers can be found on the base of the product.

**Model no.**

**Serial no.**

All Morphy Richards products are individually tested before leaving the factory. In the unlikely event of any appliance proving to be faulty within 28 days of purchase, it should be returned to the place of purchase for it to be replaced. If the fault develops after 28 days and within 24 months of original purchase, you should contact the Helpline quoting Model number and Serial number on the product, or write to Morphy Richards at the address shown. You may be asked to return a copy of proof of purchase.

Subject to the exclusions set out on the next page (see Exclusions), the faulty appliance will then be repaired or replaced as appropriate and dispatched usually within 7 working days of receipt.

If, for any reason, this item is replaced or repaired during the 2 year





## REGISTERING YOUR 3 YEAR GUARANTEE

guarantee period, the guarantee on the new item will be calculated from the original purchase date. Therefore it is vital to retain your original till receipt or invoice to indicate the date of initial purchase.

To qualify for the 2 year guarantee, the appliance must have been used according to the instructions supplied.

The appliance is intended for domestic use only. Misuse or use for commercial or any other purpose will render the guarantee invalid.

### Exclusions

Morphy Richards shall not be liable to replace or repair the goods under the terms of the guarantee where:

1. The fault has been caused or is attributable to accidental use, misuse, negligent use or used contrary to the manufacturer's recommendations or where the fault has been caused by power surges or damage caused in transit.
2. The appliance has been used on a voltage supply other than that stamped on the products.
3. Repairs have been attempted by persons other than our service staff (or authorised dealer).
4. The appliance has been used for hire purposes or non domestic use.
5. The appliance is second hand or refurbished.
6. Morphy Richards reserves the right not to carry out any type of servicing under the guarantee at its discretion.

This guarantee does not confer any rights other than those expressly set out above and does not cover any claims for consequential loss or damage. This guarantee is offered as an additional benefit and does not affect your statutory rights as a consumer. Morphy Richards products are intended for household use only. See usage limitations within the location safety instructions.

### Disclaimer

Morphy Richards has a policy of continuous improvement in product quality and design. The company, therefore reserves the right to change the specification of its models at any time.







AT823251MUK Rev1

# morphy richards



@morphyrichardsuk #loveyourmorphy

[morphyrichards.co.uk](http://morphyrichards.co.uk)

**Morphy Richards**  
9 Cabot Lane, Poole, Dorset, BH17 7BY, UK

