



morphy richards

**3 Year
Guarantee***

*Upon registering your product
at morphyrichards.co.uk

AIR FLEX 10" Air Circulator with Remote Control



Model No.
823004

User Manual

Please read and keep these instructions for future use





HEALTH AND SAFETY

The use of any electrical appliance requires the following common sense safety rules.

Please read these instructions carefully before using the product.

- **WARNING:** Disconnect from the mains supply before carrying out any routine maintenance.
- **WARNING:** Misuse of the appliance could cause personal injury.
- This appliance can be used by children aged from 8 years and above and persons with reduced physical, sensory or mental capabilities, or lack of experience and knowledge, if they have been given supervision or instruction concerning the use of the appliance in a safe way and understand the hazards involved.
- Children shall not play with the appliance.
- Cleaning and user maintenance shall not be made by children unless they are older than 8 years and supervised.





HEALTH AND SAFETY

- Keep the appliance and its cord out of reach of children less than 8 years.
- This appliance is not intended to be operated on an extension cable or by means of an external timer or separate remote control system.
- This appliance is intended for indoor household use only. It is not suitable for use in staff kitchen areas in shops, offices and other commercial environments.





HEALTH AND SAFETY

LOCATION

- Ensure that the appliance is used on a firm, flat surface to reduce noise and vibration.
- Do not expose the appliance to direct sunlight.
- Do not use the appliance near water.
- The appliance should be a minimum of 30cm away from a wall or other obstructions that may prevent or impair oscillation.
- The appliance should be stood upright during operation; it should NEVER be laid on its side.
- Do not use the appliance next to curtains, clothing, tablecloths, hair or other items that can be drawn into unit.
- Do not use the appliance near flammable or explosive gases.

MAINS CABLE

- Do not let the charging cable hang over the edge of the worktop where a child could reach it.
- Do not let the charging cable run across an open space e.g. between a low socket and table.
- Do not let the charging cable run across a cooker or other hot area which might damage the charging cable.

- The charging cable should run from the power source/socket to the appliance without straining the connections.
- Do not operate the appliance with a damaged charging cable or charger (not supplied).

PERSONAL SAFETY

- Keep hands, hair and clothing, and utensils away from the appliance while in operation, to prevent personal injury and/or damage to the appliance.
- Do not operate with wet hands.

OTHER SAFETY CONSIDERATIONS

- The use of attachments or tools not recommended or sold by Morphy Richards, may cause fire, electric shock or injury.
- Do not move the fan while switched on.
- Do not use this product for anything other than its intended use.
- Unplug from the outlet when not in use.
- **WARNING:** The appliance must not be immersed in water for cleaning.
- **WARNING:** Misuse of this appliance could cause personal injury.

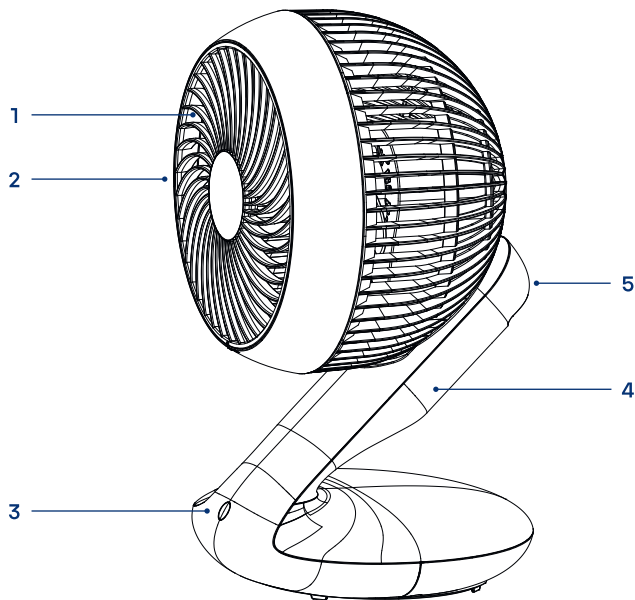


ELECTRICAL REQUIREMENTS

- Check that the voltage on the rating plate of your appliance corresponds with your house electricity supply which must be A.C. (Alternating Current).
- Should the fuse in the mains plug require changing, replace it with a fuse of the same rating as originally fitted.
- The power consumption is 0.41 W in the off mode.

WARNING: This appliance must be earthed.

PRODUCT OVERVIEW

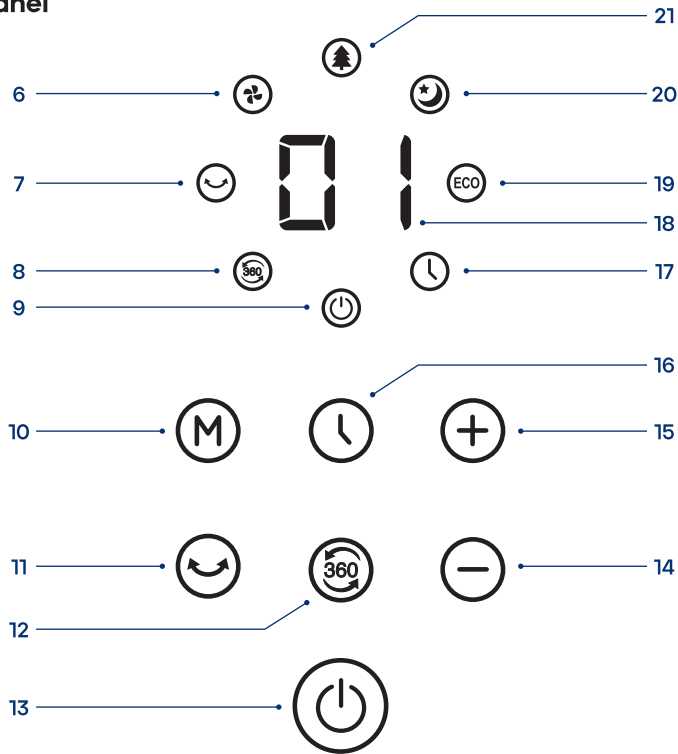


1. Fan Blade
2. Front Cover
3. Control Panel
4. Rotating Adjustable Support
5. Handle



PRODUCT OVERVIEW

Control Panel

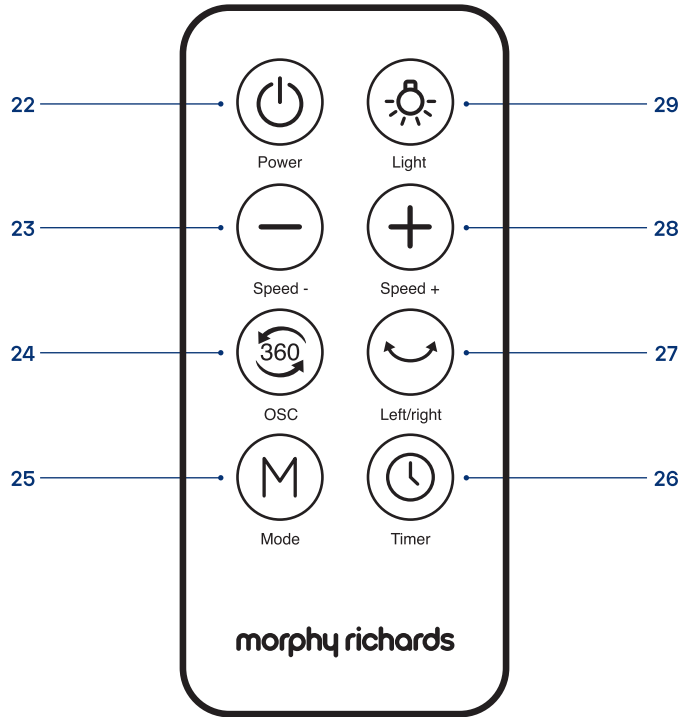


- | | |
|-------------------------------------|-------------------------------|
| 6. Fan indicator | 14. Fan Speed Decrease button |
| 7. Left/Right oscillating indicator | 15. Fan Speed Increase button |
| 8. 360° Oscillating indicator | 16. Timer button |
| 9. Power On indicator | 17. Timer indicator |
| 10. Mode Button | 18. Display panel |
| 11. Left/Right oscillating button | 19. Eco mode |
| 12. 360° oscillating button | 20. Sleep mode |
| 13. Power On/Off button | 21. Natural mode |



PRODUCT OVERVIEW

Remote Control





- 22. Power On/Off Button
- 23. Fan Speed Decrease button
- 24. 360° Oscillating Button
- 25. Mode Button
- 26. Timer Button
- 27. Left/Right oscillating button
- 28. Fan Speed Increase button
- 29. Control Panel lights On/Off button





BEFORE FIRST USE

- Remove all packaging.
- Take the remote control from its packaging and remove the plastic tab to activate the battery (CR2025).

 BATTERY WARNING	
<p>KEEP OUT OF REACH OF CHILDREN Swallowing can lead to chemical burns, perforation of soft tissue, and death. Severe burns can occur within 2 hours of ingestion. Seek medical attention immediately.</p>	


USING YOUR FAN

Location

- Ensure the fan is placed on a firm, flat, level surface with a minimum clearance of 30cm from a wall or other obstructions that may prevent or impair oscillation.
- Plug into the mains socket.

SETTING THE FAN SPEED

The fan has 8 speed settings.

- To turn on the fan, press the On/Off button  on the control panel or remote control. The fan on indicator will illuminate.

Note: The default start up is Fan speed 1.

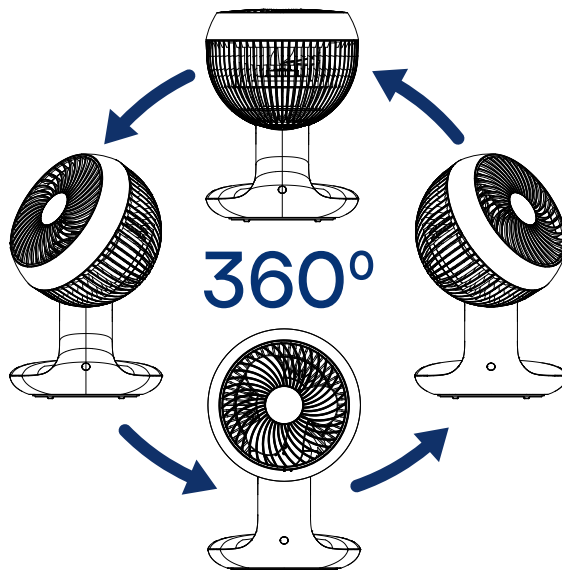
- Press the fan speed increase or decrease button on the control panel or on the remote control to increase/decrease the speed.
- To stop the fan press the On/Off button.







3D OSCILLATION

- Press the 360° Oscillation button  on the control panel or the fan speed button on the remote control to start 360° Oscillation. The 360° Oscillation indicator will illuminate.



- Press the 360° Oscillation button  on the control panel or on the remote control again to stop 360° Oscillation.

LEFT TO RIGHT OSCILLATION

- Press the left/right oscillating button  on the control panel or the remote control, the left/right oscillating indicator will illuminate on the control panel.
- The fan will rotate to the left and right.
- To stop oscillation press the oscillating button  on the control panel or the remote control.

Note: Left to Right oscillation and 360° Oscillation can be operated at the same time.





USING THE TIMER (AUTO OFF)

- Press the Timer button (⌚) on the control panel or on the remote control once to select 0.5 hours. Continue pressing the button until the desired time illuminates on the display.
- The fan will stop automatically when the time selected has lapsed.

Note: The timer can be set for a minimum of 0.5 hours and a maximum of 8 hours to switch off automatically.

MODE

Note: The Mode will cycle: **Normal** → **Natural** → **Sleep** → **Eco**

- When the fan is switched on for the first time, it defaults to normal fan. Press (M) to switch from normal fan to natural fan. Press again to switch from natural fan to sleep mode. Then press again to switch from sleep mode to ECO mode. Press again to switch from ECO to normal fan. Continue to press to repeat the cycle.

Natural Mode

- The fan speed can be set as desired between setting 1 and 8, the fan speed will then vary mimicking a natural breeze.

Sleep Mode

- The fan speed can be set as desired between setting 1 and 8. All the control panel lights will go out except the Power On/Off indicator.

Eco Mode

- A. Ambient temperature less than 22°C the fan automatically operates at speed 1.
- B. Ambient temperature between 22°C & 25°C the fan automatically operates at speed 2.
- C. Ambient temperature between 25°C & 28°C the fan automatically operates at speed 4.
- D. Ambient temperature between 28°C & 32°C the fan automatically operates at speed 7.
- E. Ambient temperature greater than 32°C the fan automatically operates at speed 8.

Note: After 10 seconds of no operation, the brightness of the digital display and LED lights will automatically decrease.





MEMORY FUNCTION

- If the fan is switched off without disconnecting the power, it will retain the working state and it will restart in the mode it was using before being switched off (except for the timer function).

DIMMING OF THE CONTROL LIGHTS

- The control panel lights will dim automatically after approximately 10 seconds.
- Press any button (except the Power On/Off button) to resume the illumination.

CONTROL PANEL LIGHTS ON/OFF

- To turn off the control panel lights, Control Panel Lights On/Off button  on the remote control.
- Press the Control Panel Lights On/Off button  on the remote control again to turn the control panel lights back on.

CARE AND CLEANING

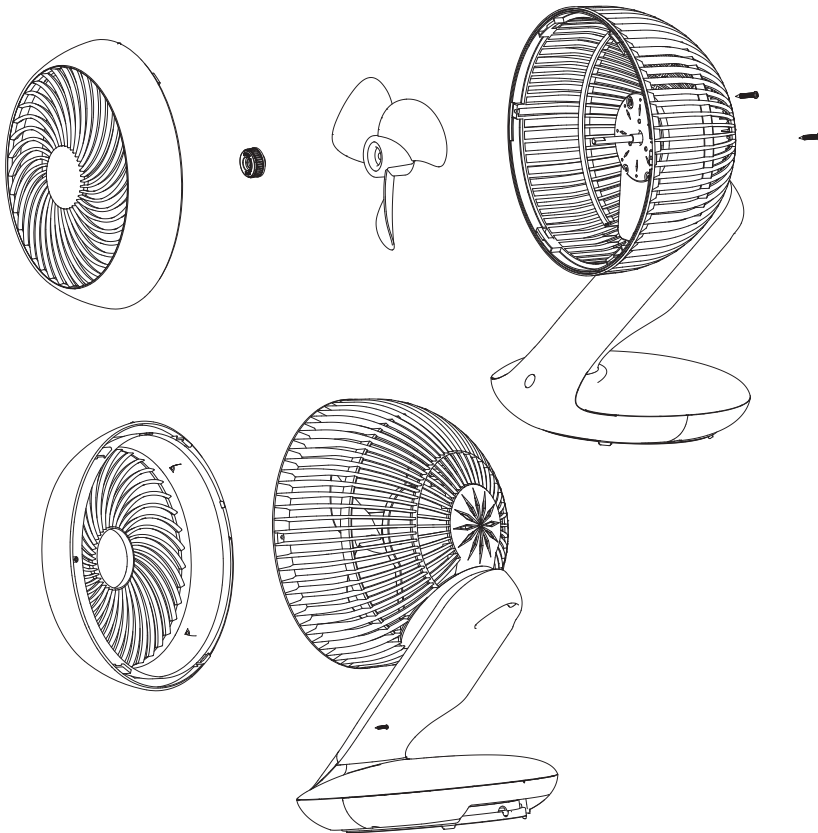
Important: Always unplug the appliance from the mains socket before cleaning.

- Do not immerse in water.
- Do not use abrasives to clean the unit. Wipe the outer surface with a soft, damp cloth.
- Dry all parts thoroughly before you plug in to operate again.



REMOVING THE FRONT COVER

- The front cover can be removed to access the blades for cleaning by removing 2 front cover securing screws, located at the back of the fan as shown below.
- Twist the front cover anti-clockwise to unlock and lift away.
- Use a soft, dry cloth to remove dust on the fan blades.
- Ensure the fan is securely re-assembled before it is plugged in.
- Store in a cool, dry and ventilated area.



WARNING: The fan must be unplugged from the mains outlet before removing the front cover.





TROUBLESHOOTING

Problem	Solution
No power.	Check the fuse and try a new fuse with the same rating.
	Try a different appliance in the socket as it may be the socket that is at fault.
Tripping electrics.	Try using a different socket.
	Ensure there are no other appliances being used on the same set of sockets as the fan.
Fan is noisy during operation.	Dirty fan blades and /or foreign object obstruction. Follow care and cleaning instructions to remove the front cover for cleaning, removal of foreign objects.
Fan is noisy during operation.	Dirty fan blades and /or foreign object obstruction. Follow care and cleaning instructions to remove the front cover for cleaning, removal of foreign objects.
	Place on firm, flat horizontal surface.
Poor air flow.	Dirty fan blades and /or foreign object obstruction. Follow care and cleaning instructions to remove the front cover for cleaning, removal of foreign objects.

SPARES

Part Number	Description	Qty Per Product	Features Key Number
33068	Remote control	1	N/A





CONTACT US

If you are having a problem with your appliance, please contact our Helpline, as we are more likely to be able to help than the store you purchased the item from. Please have the product name, model number and serial number to hand when you contact us to help us deal with your enquiry quicker.

email: hello@morphyrichards.co.uk

www.morphyrichards.co.uk

PRODUCT RECYCLING



For electrical products sold within the European Community, at the end of the electrical products useful life, it should not be disposed of with household waste.

Please recycle where facilities exist.

Check with your Local Authority or retailer for recycling advice in your country.





REGISTERING YOUR 3 YEAR GUARANTEE

Your standard 2 year guarantee is extended for an additional 1 year when you register the product within 28 days of purchase with Morphy Richards. If you do not register the product with Morphy Richards within 28 days, your product is guaranteed for 2 years.



To validate your 3 year guarantee, scan the QR code or register online at www.morphyrichards.co.uk

N.B. Each qualifying product needs to be registered with Morphy Richards individually. Please note that the 2 year guarantee is only available in the UK. Please refer to the 2 year guarantee for more information.

YOUR 2 YEAR GUARANTEE

It is important to retain the retailer's receipt as proof of purchase. Staple your receipt to the back cover for future reference.

Please quote the following information if the product develops a fault. These numbers can be found on the base of the product.

Model no.

Serial no.

All Morphy Richards products are individually tested before leaving the factory. In the unlikely event of any appliance proving to be faulty within 28 days of purchase, it should be returned to the place of purchase for it to be replaced. If the fault develops after 28 days and within 24 months of original purchase, you should contact the Helpline quoting Model number and Serial number on the product, or write to Morphy Richards at the address shown. You may be asked to return a copy of proof of purchase.

Subject to the exclusions set out on the next page (see Exclusions), the faulty appliance will then be repaired or replaced as appropriate and dispatched usually within 7 working days of receipt.

If, for any reason, this item is replaced or repaired during the 2 year



REGISTERING YOUR 3 YEAR GUARANTEE

guarantee period, the guarantee on the new item will be calculated from the original purchase date. Therefore it is vital to retain your original till receipt or invoice to indicate the date of initial purchase.

To qualify for the 2 year guarantee, the appliance must have been used according to the instructions supplied.

The appliance is intended for domestic use only. Misuse or use for commercial or any other purpose will render the guarantee invalid.

Exclusions

Morphy Richards shall not be liable to replace or repair the goods under the terms of the guarantee where:

1. The fault has been caused or is attributable to accidental use, misuse, negligent use or used contrary to the manufacturer's recommendations or where the fault has been caused by power surges or damage caused in transit.
2. The appliance has been used on a voltage supply other than that stamped on the products.
3. Repairs have been attempted by persons other than our service staff (or authorised dealer).
4. The appliance has been used for hire purposes or non domestic use.
5. The appliance is second hand or refurbished.
6. Morphy Richards reserves the right not to carry out any type of servicing under the guarantee at its discretion.

This guarantee does not confer any rights other than those expressly set out above and does not cover any claims for consequential loss or damage. This guarantee is offered as an additional benefit and does not affect your statutory rights as a consumer. Morphy Richards products are intended for household use only. See usage limitations within the location safety instructions.

Disclaimer

Morphy Richards has a policy of continuous improvement in product quality and design. The company, therefore reserves the right to change the specification of its models at any time.





AT820004MUK Rev1

morphy richards



@morphyrichardsuk #loveyourmorphy

morphyrichards.co.uk

Morphy Richards

9 Cabot Lane, Poole, Dorset, BH17 7BY, UK

