



**morphy richards**

**3 Year  
Guarantee\***

\*Upon registering your product  
at [morphyrichards.co.uk](http://morphyrichards.co.uk)

AIR FLEX  
**8" Circulating  
Pedestal Fan**  
with Remote Control



Model No.  
**821000**

# User Manual

Please read and keep these instructions for future use





## HEALTH AND SAFETY

The use of any electrical appliance requires the following common sense safety rules.

**Please read these instructions carefully before using the product.**

- This appliance can be used by children aged from 8 years and above and persons with reduced physical, sensory or mental capabilities, or lack of experience and knowledge, if they have been given supervision or instruction concerning the use of the appliance in a safe way and understand the hazards involved.
- Children shall not play with the appliance.
- Cleaning and user maintenance shall not be made by children without supervision.
- If the mains cable is damaged, it must be replaced by the manufacturer, it's service agent or similarly qualified person in order to avoid a hazard.
- **WARNING:** Misuse of appliance could cause personal injury.





## HEALTH AND SAFETY

- Keep the appliance and its cord out of reach of children.
- This appliance is intended for household use only. It is not suitable for use in staff kitchen areas in shops, offices and other commercial environments.
- The appliance is not intended to be operated on an extension cable or by means of an external timer or separate remote control.

## HEALTH AND SAFETY

### LOCATION

- Ensure that the appliance is used on a firm, flat surface to reduce noise and vibration.
- Do not expose the appliance to direct sunlight.
- Do not use the appliance near water.
- The appliance should be a minimum of 30cm away from a wall or other obstructions that may prevent or impair oscillation.
- The appliance should be stood upright during operation; it should NEVER be laid on its side.
- Do not use the appliance next to curtains, clothing, tablecloths, hair or other items that can be drawn into unit.
- Do not use the appliance near flammable or explosive gases.

### MAINS CABLE

- Do not let the cable hang over the edge of the worktop where a child could reach it.
- Do not let the cable run across an open space e.g. between a low socket and table.
- Do not let the cable run across a



## HEALTH AND SAFETY

cooker or other hot area which might damage the cable.

- The mains cable should run from the power source/socket to the appliance without straining the connections.
- Do not operate the appliance with a damaged mains cable.

### PERSONAL SAFETY

- Keep hands, hair and clothing, and utensils away from the appliance while in operation, to prevent personal injury and/or damage to the appliance.
- Do not operate with wet hands.

### OTHER SAFETY CONSIDERATIONS

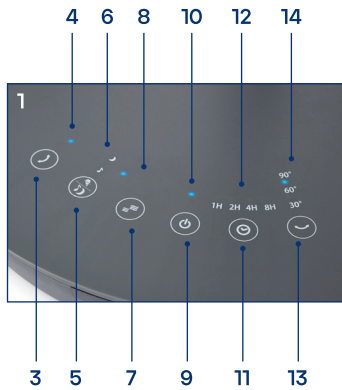
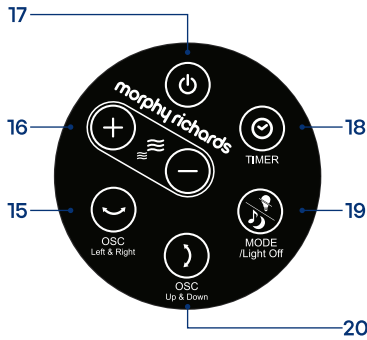
- The use of attachments or tools not recommended or sold by Morphy Richards, may cause fire, electric shock or injury.
- Do not move the fan while switched on.
- Do not use this product for anything other than its intended use.
- Unplug from the outlet when not in use.
- **WARNING: The appliance must not be immersed in water for cleaning.**
- **WARNING: Misuse of this appliance could cause personal injury.**

## ELECTRICAL REQUIREMENTS

- Check that the voltage on the rating plate of your appliance corresponds with your house electricity supply which must be A.C. (Alternating Current).
- Should the fuse in the mains plug require changing, replace it with a fuse of the same rating as originally fitted.



## PRODUCT OVERVIEW



1. Control Panel
2. Fan Cover
3. Vertical Oscillation Button
4. Vertical Oscillation Indicator
5. Nature/Sleep/Indicator LEDs Off Button
6. Nature/ Sleep Indicators
7. Fan Speed Button
8. Fan Speed Indicators
9. On/Off Button
10. On/Off Indicator
11. Timer On/Off Button
12. Timer Indicators
13. Horizontal Oscillation Button

14. Horizontal Oscillation Indicators (angle of oscillation)

### Remote Control

15. Horizontal Oscillation Button
16. Fan Speed Increase/Decrease Button
17. On/Off Button
18. Timer Button
19. Nature/Sleep/Indicator LEDs Off Button
20. Vertical Oscillation Button



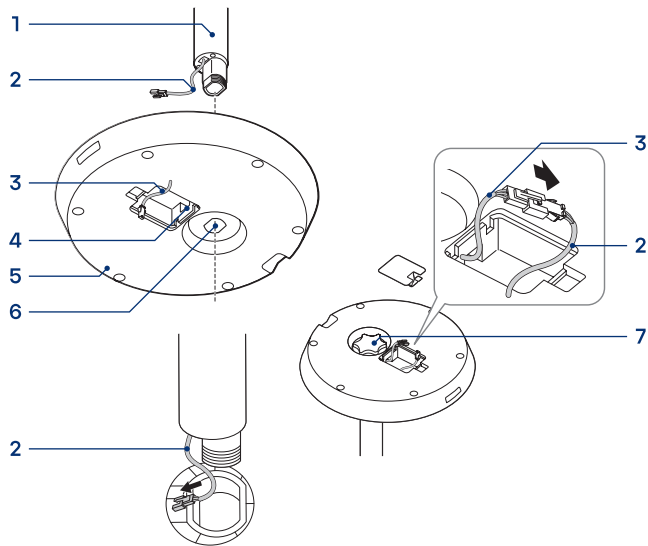


## BEFORE FIRST USE

- Remove all packaging and assemble the base of the fan as per instructions below.
- Take the remote control out of its packaging and remove the plastic tab to activate the battery.

### Assembling the base

1. Fan leg
2. Wire A
3. Wire B
4. Wire aperture
5. Fan base
6. Fan leg slot
7. Base screw cap



1. Remove the wire cover and slot the fan leg (1) into fan leg slot (6) in the fan base (5).
2. Pass the wire A (2) through the wire aperture (4) and connect it to wire B (3)
3. Reattach the wire cover and turn the base screw cap (7) clockwise to tighten the fan leg (1) to the fan base (5).





## USING YOUR FAN

1. Press the On/Off button (9) to turn on using the control panel or on the remote control (18). The fan on indicator (10) will illuminate.
2. The fan has 8 speed settings, to increase the speed of the fan, press the fan speed button on the control panel (7) or on the remote control (17). The indicator lights will illuminate to correspond to the speed setting until 8 are lit for the maximum setting.

### Oscillation

#### Vertical Oscillation

1. Press the vertical oscillating button on the control panel (3) or the remote control (21), the vertical oscillating indicator (4) will illuminate on the control panel. The fan will rotate up and down.
2. To turn off oscillation, press the oscillating button again on the control panel (3) or the remote control (21).

#### Horizontal Oscillation

1. Press the horizontal oscillating button once on the control panel (13) or the remote control (16) the horizontal oscillating indicator for 30° (14) will illuminate on the control panel.
2. The fan will rotate 30° to the left and right.
3. To increase the angle of oscillation to 60° press the horizontal oscillation button on the control panel or remote control again, the horizontal oscillating indicator for 60° will illuminate on the control panel. Repeat to increase to 90° oscillation.
4. To stop oscillation press the horizontal oscillating button on the control panel or the remote control.

### Using the Timer

1. Press the time selector button on the control panel (11) or the time selector button on the remote control (19) to select 1 hour, the 1h indicator (12) will illuminate.



## USING YOUR FAN

2. Press the time selector button again to increase to 2 hours, the 1h indicator will go out and the 2h indicator will illuminate. Repeat as above to reach 4h & 8h.
3. The fan will stop automatically when the time selected has lapsed.

Number of Time Selector Button presses	Timer Hours Selected	Display Illuminated
1	1	1h
2	2	2h
3	4	4h
4	8	8h

**Note:** The fan can be used for a maximum of 8 hours on the timer.

### Nature/Sleep/Indicators (LEDs) Off Modes

1. Press the nature/sleep/indicators (LEDs) off button on the control panel (5) or the nature/sleep button on the remote control (20) the nature or sleep indicator (6) will illuminate.
2. Both nature and sleep modes have varying speed cycles that cannot be changed:
  - **Nature mode:** The speed will vary mimicking a natural breeze.
  - **Sleep mode:** The speed is fixed at a gentle varying breeze and the lights will be off. The fan speed button (7) will be disabled.
3. To turn off all the indicators (LEDs) on the control panel, press and hold the nature/sleep/indicators (LEDs) off button on the control panel or remote control for approximately 3 seconds. To cancel the indicators off mode, press any button on the control panel or remote control.





## USING YOUR FAN

Number of Nature/ Sleep Button presses	Mode Selected	Display Illuminated
1	Nature	Nature
2	Sleep	Sleep
Press and hold	Indicators Off	None

## CARE & CLEANING

- Always unplug the appliance before cleaning.
- Do not immerse in water.
- Do not use abrasives to clean the unit. Wipe the outer surface with a soft, damp cloth.
- The fan cover (2) can be removed to access the blades for cleaning by removing the securing screw located at the bottom of the fan cover.

**WARNING:** The fan should be unplugged from the mains outlet before removing the front cover.

- Dry all parts thoroughly and reassemble properly before you plug in to operate again.
- Store in a cool, dry and ventilated area.

### Storage

- Store in the original packaging if available.
- Store in a dry and ventilated area, away from high temperatures, high humidity, open flames, or direct sunlight.





## TROUBLESHOOTING

Problem	Possible Cause	Solution
Fan is not turning on.	Mains outlet and/or fuse in the plug.	Check the fuse and try a new fuse with the same rating
		Try a different appliance in the socket as it may be the socket that's at fault
Noisy fan.	Dirty fan blades and/or foreign object obstruction.	Follow care and cleaning instructions to remove the front cover for cleaning, removal of foreign objects.
Remote control is not working.	Low battery.	Replace battery.
	Not pointing at the fan.	Point the remote directly towards the receiver which is located on the stand of the fan.





## CONTACT US

If you are having a problem with your appliance, please contact our Helpline, as we are more likely to be able to help than the store you purchased the item from. Please have the product name, model number and serial number to hand when you contact us to help us deal with your enquiry quicker.

email: [hello@morphyrichards.co.uk](mailto:hello@morphyrichards.co.uk)

[www.morphyrichards.co.uk](http://www.morphyrichards.co.uk)

## PRODUCT RECYCLING



For electrical products sold within the European Community, at the end of the electrical products useful life, it should not be disposed of with household waste.

Please recycle where facilities exist.

Check with your Local Authority or retailer for recycling advice in your country.



## REGISTERING YOUR 3 YEAR GUARANTEE

Your standard 2 year guarantee is extended for an additional 1 year when you register the product within 28 days of purchase with Morphy Richards. If you do not register the product with Morphy Richards within 28 days, your product is guaranteed for 2 years.



To validate your 3 year guarantee, scan the QR code or register online at [www.morphyrichards.co.uk](http://www.morphyrichards.co.uk)

N.B. Each qualifying product needs to be registered with Morphy Richards individually. Please note that the 2 year guarantee is only available in the UK. Please refer to the 2 year guarantee for more information.

### YOUR 2 YEAR GUARANTEE

It is important to retain the retailer's receipt as proof of purchase. Staple your receipt to the back cover for future reference.

Please quote the following information if the product develops a fault. These numbers can be found on the base of the product.

**Model no.**

**Serial no.**

All Morphy Richards products are individually tested before leaving the factory. In the unlikely event of any appliance proving to be faulty within 28 days of purchase, it should be returned to the place of purchase for it to be replaced. If the fault develops after 28 days and within 24 months of original purchase, you should contact the Helpline quoting Model number and Serial number on the product, or write to Morphy Richards at the address shown. You may be asked to return a copy of proof of purchase.

Subject to the exclusions set out on the next page (see Exclusions), the faulty appliance will then be repaired or replaced as appropriate and dispatched usually within 7 working days of receipt.

If, for any reason, this item is replaced or repaired during the 2 year





## REGISTERING YOUR 3 YEAR GUARANTEE

guarantee period, the guarantee on the new item will be calculated from the original purchase date. Therefore it is vital to retain your original till receipt or invoice to indicate the date of initial purchase.

To qualify for the 2 year guarantee, the appliance must have been used according to the instructions supplied.

The appliance is intended for domestic use only. Misuse or use for commercial or any other purpose will render the guarantee invalid.

### Exclusions

Morphy Richards shall not be liable to replace or repair the goods under the terms of the guarantee where:

1. The fault has been caused or is attributable to accidental use, misuse, negligent use or used contrary to the manufacturer's recommendations or where the fault has been caused by power surges or damage caused in transit.
2. The appliance has been used on a voltage supply other than that stamped on the products.
3. Repairs have been attempted by persons other than our service staff (or authorised dealer).
4. The appliance has been used for hire purposes or non domestic use.
5. The appliance is second hand or refurbished.
6. Morphy Richards reserves the right not to carry out any type of servicing under the guarantee at its discretion.

This guarantee does not confer any rights other than those expressly set out above and does not cover any claims for consequential loss or damage. This guarantee is offered as an additional benefit and does not affect your statutory rights as a consumer. Morphy Richards products are intended for household use only. See usage limitations within the location safety instructions.

### Disclaimer

Morphy Richards has a policy of continuous improvement in product quality and design. The company, therefore reserves the right to change the specification of its models at any time.







AT821000MUK Rev1

# morphy richards



@morphyrichardsuk #loveyourmorphy

[morphyrichards.co.uk](https://www.morphyrichards.co.uk)

**Morphy Richards**

9 Cabot Lane, Poole, Dorset, BH17 7BY, UK

