

511652

morphy richards®



**MICROWAVE
TOASTED WRAP
MAKER**

**USER
MANUAL**

recipes!

USER MANUAL

1. Health and Safety	3
2. Product Overview	5
3. Using Your Mico Wrap Maker	6
4. Care and Cleaning	8
5. Recipes	11
6. Contact Us	15
7. Register your 3 Year Guarantee	16

1. Health and Safety

Please read these instructions carefully before using your Mico Wrap Maker.

- Not suitable for conventional ovens, hobs/grills.
- The wrap maker is suitable for a microwave oven operating in microwave mode only.
- Ensure caution is taken when removing cookware from the microwave oven as it will be hot, handle all hot surfaces with oven gloves or similar.
- Children must not use the Mico Wrap Maker as it becomes hot in use.
- Ensure metal parts are correctly fitted into moulded housing. Do not use without the housing.
- Do not use a single plate. The 2 plates of the wrap maker should always be secured together before placing in the microwave.
- Not for commercial use. Household use only.
- Do not use for more than 5 minutes continuously. Allow to cool in between uses.
- Microwave power should not exceed 1200W.
- Do not use knives or utensils with sharp edges as it may damage the nonstick coating.

1. Health and Safety

- Do not place other accessories in the microwave while cooking with the Mico Wrap Maker.
- For safety and best results, put Mico Wrap Maker in the centre of microwave cavity.
- Should sparking or any other unusual malfunction occur during cooking, isolate power to the microwave immediately.
- **WARNING:** Handling hot surfaces with wet oven gloves can produce steam causing serious burns to skin.

2. Product Overview



3. Using Your Mico Wrap Maker

Before First Use

Disassemble and wash your Mico. Dry thoroughly before reassembling (see Care & Cleaning section).

- 1.** Open the Mico Wrap Maker.
- 2.** Create your wrap and place it into the wrap maker.
- 3.** Close the wrap maker, secure with the outer casing clip, and cook in the microwave for the recipe's recommended cooking period (this may vary with personal taste and microwave wattage).
- 4.** When cooking is complete, remove from the microwave using oven mitts or similar.

3. Using Your Mico Wrap Maker

Note: This Mico Wrap Maker is designed to be used with a microwave that incorporates a turntable.

It is possible to use with a microwave that does not have a turntable, for best results you may need to turn over half way through cooking.

Important

- **Do not** use the wrap maker when it is empty.
- **Do not** preheat the Mico Wrap Maker.
- **Do not** use for more than 5 minutes continuously. Allow to cool in between use.
- **Do not** over fill the wraps.
- **Do not** use metal utensils when removing food from your Mico Wrap Maker. Metal utensils may damage the non-stick coating on the grill plates.

4. Care and Cleaning

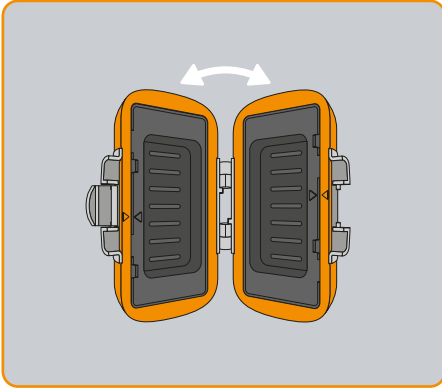
Important

Cleaning your Mico Wrap Maker after each use will prolong its life.

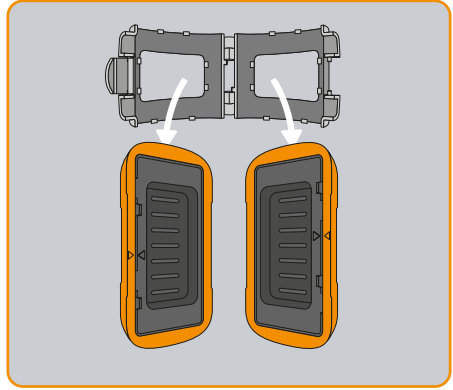
- Allow Mico Wrap Maker to cool before disassembling for washing.
- Fully disassemble your Mico Wrap Maker to enable thorough cleaning. (See page 8-9 for disassembly/assembly instructions).
- All parts are dishwasher safe.
- If hand washing, do so in warm soapy water with a soft cloth to protect the non-stick coating on metal parts. Do not use scouring pads or abrasive chemicals.
- Dry thoroughly and ensure the Wrap Maker is re-assembled correctly.

4. Care and Cleaning

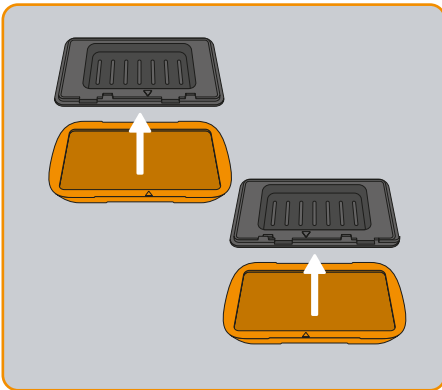
Disassembly



1. Open the Mico Wrap Maker.



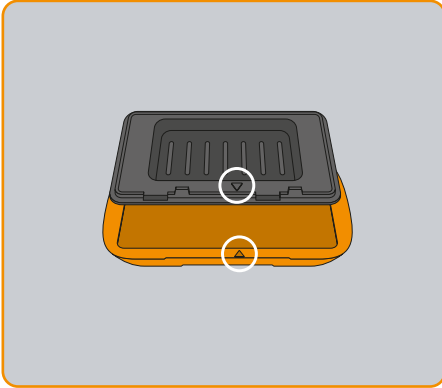
2. Remove the silicone housings from the outer casing.



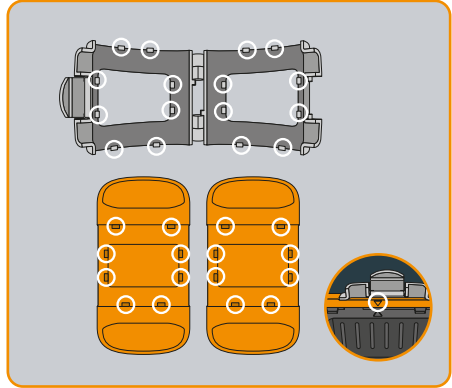
3. Remove the cooking plates from the silicone housings.

4. Care and Cleaning

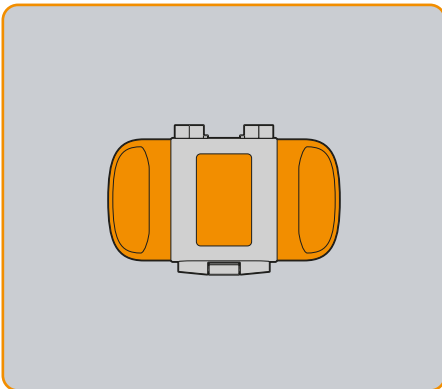
Assembly



1. Re-fit the cooking plates into the silicone housings. Ensure the triangle symbols on the plates and housing are pointing towards each other when inserting and the edges of the plates are fully encased in the silicone housings.



2. Attach the silicone housings into the indents in the outer casing, and ensure the triangles are aligned with the outer casing clip.



3. Close the wrap maker and secure with the outer casing clip.

5. Recipes

Note: An 800W microwave has been used to create the recipes. Cooking times may require adjustment for lower or higher wattage microwaves, or preferred doneness of food.

Important

- **Do not** use raw meat or frozen ingredients in the Mico Wrap Maker.
- **Do not** use for more than 5 minutes continuously. Allow to cool in between uses.

Cheese & Ham Wrap

1 Mini Tortilla Wrap

1 Slice Ham

20g grated cheddar cheese

Lay tortilla on a flat surface and add the ham and cheese across the centre.

Fold in the left and right sides of the tortilla and roll into a wrap, ensuring all filling is encased.

Place into the Mico Wrap Maker, close the lid and secure with the outer casing clip.

Microwave for 2½ minutes (800W).

5. Recipes

Omelette

1 egg

1 tbsp grated cheese
(cheddar)

Salt & pepper to taste

Lightly beat the egg, add cheese, salt and pepper.

Pour into wrap maker close the lid and secure with the outer casing clip.

Microwave for 2½ minutes (800W).

Breakfast Wrap

1 Mini Tortilla Wrap

Omelette (follow
above recipe),
½ portion cut
lengthways

2 rashers, cooked
streaky bacon

Lay tortilla on a flat surface and add the omelette and bacon across the centre.

Fold in the left and right sides of the tortilla and roll into a wrap, ensuring all filling is encased.

Place into the Mico Wrap Maker, close the lid and secure with the outer casing clip.

Microwave for 2½ minutes (800W).

5. Recipes

Chicken & Bacon Wrap

1 Mini Tortilla Wrap
1 Slice Chicken
2 rashers, cooked
streaky bacon.
20g grated cheddar
cheese

Lay tortilla on a flat surface and add the chicken, bacon and cheese across the centre.

Fold in the left and right sides of the tortilla and roll into a wrap, ensuring all filling is encased.

Place into the Mico Wrap Maker, close the lid and secure with the outer casing clip.

Microwave for 2½ minutes (800W).

Pizza Wrap

1 Mini Tortilla
3 slices pizza
pepperoni
1 tbsp pizza sauce
20g mozzarella
¼ tsp oregano

Lay tortilla on a flat surface and add the pizza sauce, pepperoni, mozzarella and oregano across the centre.

Fold in the left and right sides of the tortilla and roll into a wrap, ensuring all filling is encased.

Place into the Mico Wrap Maker, close the lid and secure with the outer casing clip.

Microwave for 2½ minutes (800W).

5. Recipes

Hot Dog Wrap

- 1 Mini Tortilla
- 1 hot dog sausage
(cut in half)
- 1 tsp ketchup
- 1 tsp mustard

Lay tortilla on a flat surface and add the ketchup, mustard and hot dog sausage across the centre.

Fold in the left and right sides of the tortilla and roll into a wrap, ensuring all filling is encased.

Place into the Mico Wrap Maker, close the lid and secure with the outer casing clip.

Microwave for 2½ minutes (800W).

6. Contact Us

If you are having a problem with your appliance, please contact our Helpline, as we are more likely to be able to help than the store you purchased the item from.

Please have the product name, model number and serial number to hand when you contact us to help us deal with your enquiry quicker.

email: **hello@morphyrichards.co.uk**

www.morphyrichards.co.uk

7. Register your 3 Year Guarantee

Your standard 2 year guarantee is extended for an additional 1 year when you register the product within 28 days of purchase with Morphy Richards. If you do not register the product with Morphy Richards within 28 days, your product is guaranteed for 2 years.

To validate your 3 year guarantee, register online at www.morphyrichards.co.uk

N.B. Each qualifying product needs to be registered with Morphy Richards individually. Please note that the 2 year guarantee is only available in the UK. Please refer to the 2 year guarantee for more information.

Your 2 Year Guarantee

It is important to retain the retailer's receipt as proof of purchase.

Please quote the following information if the product develops a fault. These numbers can be found on the base of the product.

Model no.

Serial no.

All Morphy Richards products are individually tested before leaving the factory. In the unlikely event of any appliance proving to be faulty within 28 days of purchase, it should be returned to the place of purchase for it to be replaced. If the fault develops after 28 days and within 24 months of original purchase, you should contact the Helpline quoting Model number and Serial number on the product, or write to Morphy Richards at the address shown. You may be asked to return a copy of proof of purchase.

Subject to the exclusions set out on the next page (see Exclusions), the faulty appliance will then be repaired or replaced as appropriate and dispatched usually within 7 working days of receipt.

If, for any reason, this item is replaced or repaired during the 2 year guarantee period, the guarantee on the new item will be calculated from the original purchase date. Therefore it is vital to retain your original till receipt or invoice to indicate the date of initial purchase.

7. Register your 3 Year Guarantee

To qualify for the 2 year guarantee, the appliance must have been used according to the instructions supplied.

The appliance is intended for domestic use only. Misuse or use for commercial or any other purpose will render the guarantee invalid.

Exclusions

Morphy Richards shall not be liable to replace or repair the goods under the terms of the guarantee where:

- The fault has been caused or is attributable to accidental use, misuse, negligent use or used contrary to the manufacturer's recommendations or where the fault has been caused by power surges or damage caused in transit.
- The appliance has been used on a voltage supply other than that stamped on the products.
- Repairs have been attempted by persons other than our service staff (or authorised dealer).
- The appliance has been used for hire purposes or non domestic use.
- The appliance is second hand or refurbished.
- Morphy Richards reserves the right not to carry out any type of servicing under the guarantee at its discretion.
- This guarantee does not confer any rights other than those expressly set out above and does not cover any claims for consequential loss or damage. This guarantee is offered as an additional benefit and does not affect your statutory rights as a consumer. Morphy Richards products are intended for household use only. See usage limitations within the location safety instructions.

Disclaimer

Morphy Richards has a policy of continuous improvement in product quality and design. The company, therefore reserves the right to change the specification of its models at any time.

morphy richards®

mico



#mico