



morphy richards

**3 Year
Guarantee***

*Upon registering your product
at morphyrichards.co.uk

AIR FLEX
8" 360° Oscillating
Telescopic Travel
Air Circulator
with Remote Control



Model No.
821001

User Manual

Please read and keep these instructions for future use



HEALTH AND SAFETY

The use of any electrical appliance requires the following common sense safety rules.

Please read these instructions carefully before using the product.

- This appliance can be used by children aged from 8 years and above and persons with reduced physical, sensory or mental capabilities, or lack of experience and knowledge, if they have been given supervision or instruction concerning the use of the appliance in a safe way and understand the hazards involved.
- Children shall not play with the appliance.
- Cleaning and user maintenance shall not be made by children without supervision.
- If the mains cable is damaged, it must be replaced by the manufacturer, its service agent or similarly qualified person in order to avoid a hazard.



HEALTH AND SAFETY

- **WARNING:** Misuse of appliance could cause personal injury.
- Keep the appliance and its cord out of reach of children.
- This appliance is intended for indoor household use only. It is not suitable for use in staff kitchen areas in shops, offices and other commercial environments.





HEALTH AND SAFETY

LOCATION

- Ensure that the appliance is used on a firm, flat surface to reduce noise and vibration.
- Do not expose the appliance to direct sunlight.
- Do not use the appliance outdoors or near water.
- The appliance should be a minimum of 30cm away from a wall or other obstructions that may prevent or impair oscillation.
- The appliance should be stood upright during operation; it should NEVER be laid on its side.
- Do not use the appliance next to curtains, clothing, tablecloths, hair or other items that can be drawn into unit.
- Do not use the appliance near flammable or explosive gases.

MAINS CABLE

- Do not let the mains cable hang over the edge of the worktop where a child could reach it.
- Do not let the mains cable run across an open space e.g. between a low socket and a table.
- The mains cable should reach from the socket to the product without straining the connections.

PERSONAL SAFETY

- Keep hands, hair and clothing, and utensils away from the appliance while in operation, to prevent personal injury and/or damage to the appliance.
- Do not operate with wet hands.

OTHER SAFETY CONSIDERATIONS

- The use of attachments or tools not recommended or sold by Morphy Richards, may cause fire, electric shock or injury.
- Do not move the fan while switched on.
- Do not use this product for anything other than its intended use.
- Unplug from the outlet when not in use.
- **WARNING:** The appliance must not be immersed in water for cleaning.
- **WARNING:** Misuse of this appliance could cause personal injury.



ELECTRICAL DETAILS

Check that the voltage on the rating plate of your appliance corresponds with your house electricity supply which must be A.C. (Alternating Current).

Should the fuse in the mains plug require changing, replace it with a fuse of the same rating as originally fitted.

The power consumption in off mode is 0.3W.

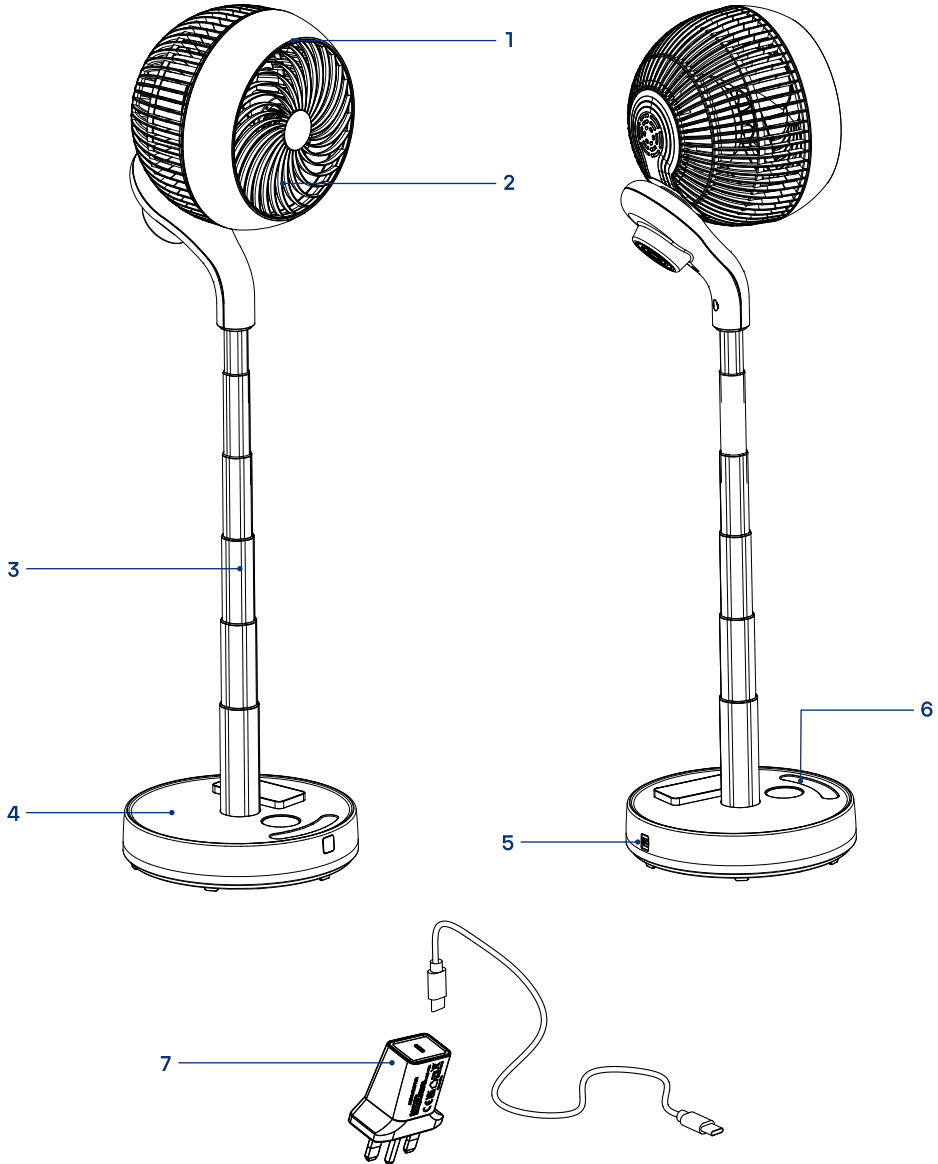
WARNING: The plug removed from the mains lead, if severed, must be destroyed, as a plug with a bared flexible cord is hazardous if engaged into a live socket outlet.

WARNING: This appliance must be earthed.





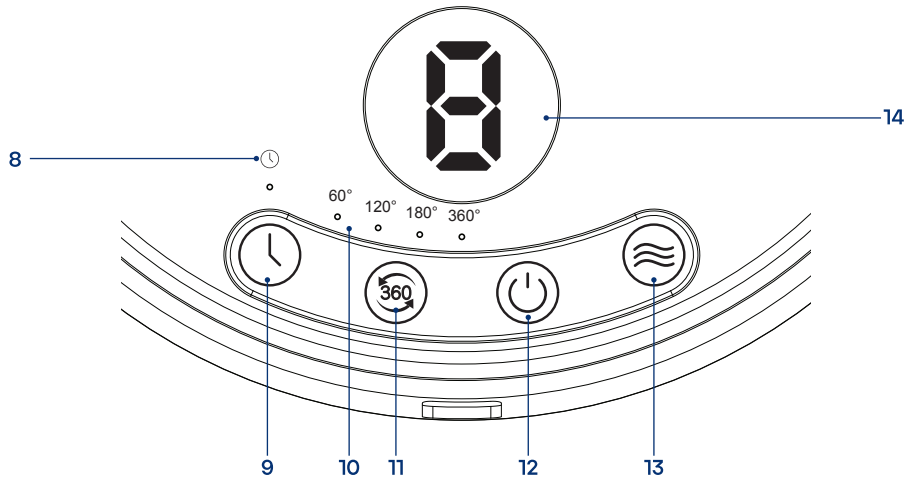
PRODUCT OVERVIEW



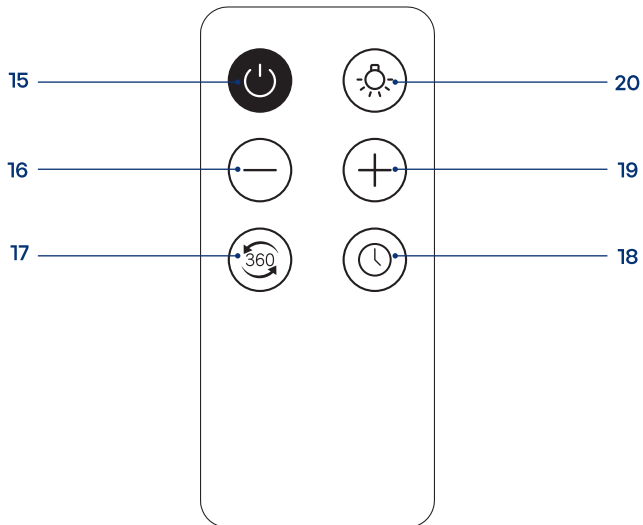


PRODUCT OVERVIEW

CONTROL PANEL



REMOTE CONTROL





PRODUCT OVERVIEW

1. Front Grille
2. Fan Blades
3. Telescopic Pedestal
4. Base
5. USB Type -C port
6. Control Panel
7. Detachable Power Cable
8. Timer Indicator
9. Timer Button
10. Oscillating Indicators
11. Oscillating Button
12. Power On/Off Button
13. Fan Speed Button
14. Fan Speed Display
15. Power On/Off Button
16. Fan Speed Decrease Button
17. Oscillating Button
18. Timer Button
19. Fan Speed Increase Button
20. Display Lights On/Off Button

BEFORE FIRST USE

- Remove all packaging.
- Remove the plastic tab from the remote control to activate the battery (CR2025).

BATTERY WARNING

KEEP OUT OF REACH OF CHILDREN
Swallowing can lead to chemical burns, perforation of soft tissue, and death. Severe burns can occur within 2 hours of ingestion. Seek medical attention immediately.



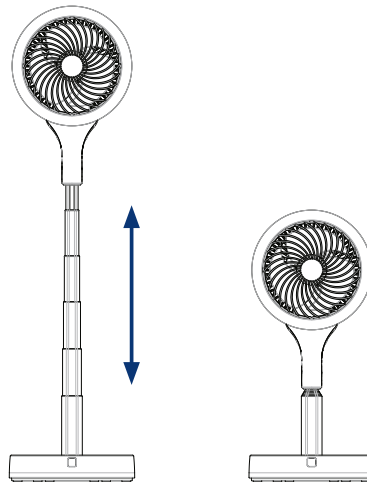


USING YOUR FAN

HEIGHT ADJUSTMENT

The fan can be adjusted between desk and pedestal.

- Place the fan on a firm, flat, level surface.
- Hold down the base (4) with 1 hand and with the other, pull the telescopic pedestal (3) upwards.



SETTING THE FAN SPEED

- Attach the power cable (7) to the USB Type-C port (5) and plug in to the mains socket.
- To turn on the fan, press the on/off button (15) on the control panel (6) or remote control.

Note: The default start up is Fan Speed 1.

- Press the fan speed button (13) on the control panel or on the fan speed increase/decrease button (16, 19) on the remote control to increase/decrease the speed until the desired speed illuminates in the fan speed display. The fan has 8 speed settings.
- To stop the fan press the on/off button.

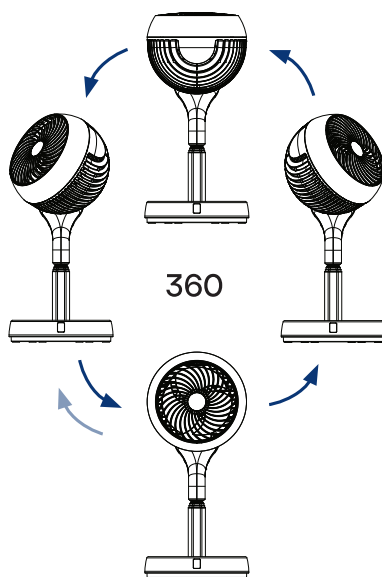


USING YOUR FAN

360° OSCILLATION

The fan has 4 oscillation settings 60°, 120°, 180° and 360°.

- Press the 360° oscillation button (11) on the control panel (6) or the fan speed button on the remote control (16, 19) to start 360° oscillation. The corresponding oscillation indicator will illuminate.



- Press the 360° oscillation button on the control panel or on the remote control (17) again to stop oscillation.

USING THE TIMER (AUTO OFF)

- Press the timer button on the control panel (9) or on the remote control once (18) to select 1 hour. Continue pressing the button until the desired time illuminates on the display.
- The fan will stop automatically when the time selected has lapsed.

Note: The timer can be set for a minimum of 1 hour and a maximum of 8 hours to switch off automatically.



USING YOUR FAN

MEMORY FUNCTION

- If the fan is switched off without disconnecting the power, it will restart in the mode it was using before being switched off (except for the timer function).

AUTOMATIC SHUTDOWN

- The fan will automatically switch off after 10 hours, if no button has been pressed on the control panel or remote control.

CONTROL PANEL LIGHTS ON/OFF

- To turn off the control panel lights, press the display lights on/off button (20) on the remote control.
- Press the display lights on/off button on the remote control again to turn the control panel lights back on.

CARE & CLEANING

Important: The fan MUST be unplugged from the mains socket before cleaning.

- Do not immerse in water.
- Do not use abrasives to clean the unit. Wipe with a soft, damp cloth.
- Dry all parts thoroughly before you plug in to operate again.

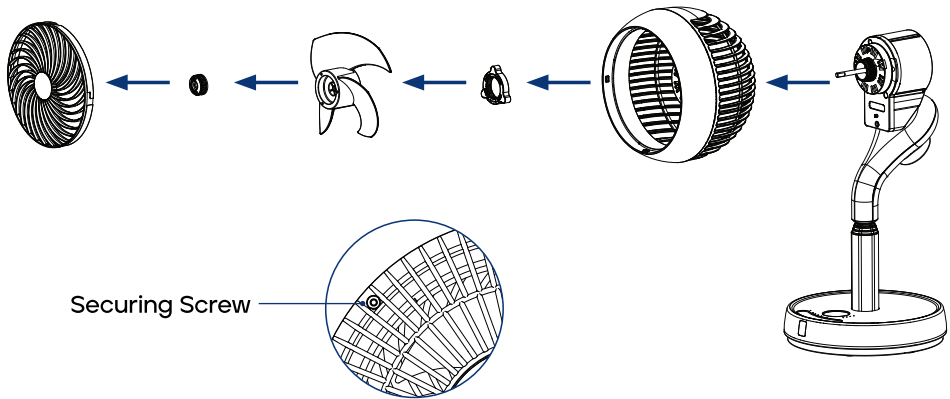
DISMANTLING THE FAN

- Remove the 4 securing screws, located at the back of the fan as shown below, to detach and lift away the front grille (1).
- Next remove the fan blades (2) by unscrewing the plastic retaining nut clockwise and lift off the blades.
- Finally, to remove the back cover, unscrew the plastic retaining nut anticlockwise and lift away from the fan.



CARE & CLEANING

- Use a soft, damp cloth to remove dust and dirt from the fan blades, front and back cover. Dry thoroughly before re-assembling.
- Ensure the fan is securely re-assembled by reversing the above process before it is plugged in.
- Store in a cool, dry and ventilated area.



WARNING: The fan must be unplugged from the mains outlet before removing the front grille.



TROUBLESHOOTING

Problem	Solution
No power.	Check the fuse and try a new fuse with the same rating.
	Try a different appliance in the socket as it may be the socket that is at fault.
Tripping electrics.	Try using a different socket.
	Ensure there are no other appliances being used on the same set of sockets as the stand mixer.
Fan is noisy during operation.	Dirty fan blades and /or foreign object obstruction. Follow care and cleaning instructions to remove the front cover for cleaning, removal of foreign objects.
	Place on firm, flat horizontal surface.
Poor air flow.	Dirty fan blades and /or foreign object obstruction. Follow care and cleaning instructions to remove the front cover for cleaning, removal of foreign objects.

SPARE PARTS

Part Number	Description	Qty per Product	Key Number
33069	Remote Control	1	N/A



CONTACT US

If you are having a problem with your appliance, please contact our Helpline, as we are more likely to be able to help than the store you purchased the item from. Please have the product name, model number and serial number to hand when you contact us to help us deal with your enquiry quicker.

email: hello@morphyrichards.co.uk

www.morphyrichards.co.uk

PRODUCT RECYCLING



For electrical products sold within the European Community, at the end of the electrical products useful life, it should not be disposed of with household waste.

Please recycle where facilities exist.

Check with your Local Authority or retailer for recycling advice in your country.



REGISTERING YOUR 3 YEAR GUARANTEE

Your standard 2 year guarantee is extended for an additional 1 year when you register the product within 28 days of purchase with Morphy Richards. If you do not register the product with Morphy Richards within 28 days, your product is guaranteed for 2 years.



To validate your 3 year guarantee, scan the QR code or register online at www.morphyrichards.co.uk

N.B. Each qualifying product needs to be registered with Morphy Richards individually. Please note that the 2 year guarantee is only available in the UK. Please refer to the 2 year guarantee for more information.

YOUR 2 YEAR GUARANTEE

It is important to retain the retailer's receipt as proof of purchase. Staple your receipt to the back cover for future reference.

Please quote the following information if the product develops a fault. These numbers can be found on the base of the product.

Model no.

Serial no.

All Morphy Richards products are individually tested before leaving the factory. In the unlikely event of any appliance proving to be faulty within 28 days of purchase, it should be returned to the place of purchase for it to be replaced. If the fault develops after 28 days and within 24 months of original purchase, you should contact the Helpline quoting Model number and Serial number on the product, or write to Morphy Richards at the address shown. You may be asked to return a copy of proof of purchase.

Subject to the exclusions set out on the next page (see Exclusions), the faulty appliance will then be repaired or replaced as appropriate and dispatched usually within 7 working days of receipt.

If, for any reason, this item is replaced or repaired during the 2 year



REGISTERING YOUR 3 YEAR GUARANTEE

guarantee period, the guarantee on the new item will be calculated from the original purchase date. Therefore it is vital to retain your original till receipt or invoice to indicate the date of initial purchase.

To qualify for the 2 year guarantee, the appliance must have been used according to the instructions supplied.

The appliance is intended for domestic use only. Misuse or use for commercial or any other purpose will render the guarantee invalid.

Exclusions

Morphy Richards shall not be liable to replace or repair the goods under the terms of the guarantee where:

1. The fault has been caused or is attributable to accidental use, misuse, negligent use or used contrary to the manufacturer's recommendations or where the fault has been caused by power surges or damage caused in transit.
2. The appliance has been used on a voltage supply other than that stamped on the products.
3. Repairs have been attempted by persons other than our service staff (or authorised dealer).
4. The appliance has been used for hire purposes or non domestic use.
5. The appliance is second hand or refurbished.
6. Morphy Richards reserves the right not to carry out any type of servicing under the guarantee at its discretion.

This guarantee does not confer any rights other than those expressly set out above and does not cover any claims for consequential loss or damage. This guarantee is offered as an additional benefit and does not affect your statutory rights as a consumer. Morphy Richards products are intended for household use only. See usage limitations within the location safety instructions.

Disclaimer

Morphy Richards has a policy of continuous improvement in product quality and design. The company, therefore reserves the right to change the specification of its models at any time.



AT821001MUK Rev1

morphy richards



@morphyrichardsuk #loveyourmorphy

morphyrichards.co.uk

Morphy Richards

9 Cabot Lane, Poole, Dorset, BH17 7BY, UK

